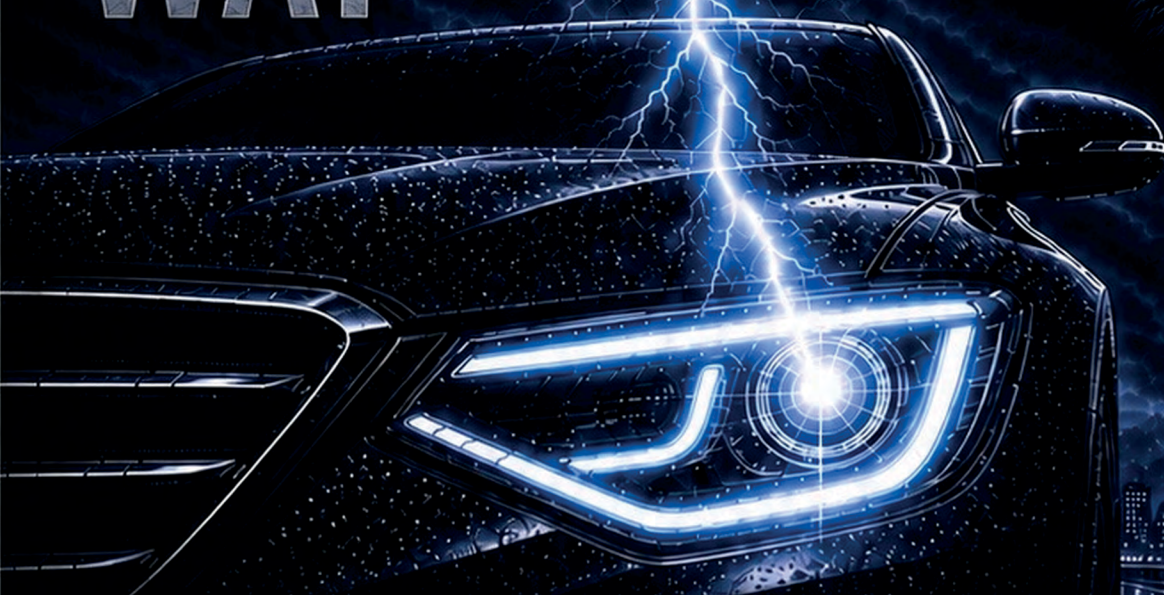


WOLFRAM

WE
LIGHT
THE
WAY



HIGH
PERFORMANCE



SUPERIOR
TECHNOLOGY



MAXIMUM
SAFETY



LONG
LIFESPAN

www.wolframgermany.com

WOLFRAM



We Light The Way



A scenic landscape at sunset with a road leading into the distance. The sun is low on the horizon, casting a warm glow over the scene. The sky is a mix of orange, yellow, and blue. The road is a two-lane asphalt road that curves slightly to the left. The background shows rolling hills and mountains under a clear sky.

As Safe As Real Light Source

Taking its name from the first step of bulb production, **WOLFRAM** automotive bulbs are produced in environmentally friendly and nature-friendly fully automated factories equipped with high technology in Germany, and complementary products are manufactured in Korea and China.

WOLFRAM automotive bulbs are produced for the front, rear, and interior lighting of cars, light commercial vehicles, heavy-duty trucks, and motorcycles worldwide.

WOLFRAM automotive bulbs, including standard bulbs as well as innovative automotive bulbs, LED headlights, and fog lights, offer a wide variety of options and high quality to fully ensure customer satisfaction. The desire to provide better lighting options is the main driving force behind the continuous R&D efforts of our engineers working on **WOLFRAM** automotive bulbs.

WOLFRAM automotive bulbs will ensure that people see better now and in the future, move more comfortably, and drive safely. Today, it is not only essential for lighting bulbs to function and last long but also to provide price competitiveness to dealers.

WOLFRAM, as the inventor of automotive bulb technology, is a pioneer in halogen and miniature bulbs, adding innovation to everything it does with high performance and durability.

Table Of Content



Automobile Lighting Solutions

6

Halogen Headlight Bulbs Series

Sky Blue 50 Series

Night Vision 150 Series

Ultra Vision 200 Series

Lensed Bulbs Series

Stop Signal Bulb Series

Bottomless Bulbs Series

Sofit Bulbs Series

Soket Indicator Bulbs Series

Xenon Lighting Solutions

65

Xenon 4300K Bulbs Series

Xenon 4300K Long-Life Bulbs Series

Xenon 4300K Ultra Violet Bulbs Series

Xenon 4300K Ultra Violet Bulbs DPC Series

Xenon 6000K Bulbs Series

Xenon 6000K Ultra Violet Bulbs Series

Xenon 6000K Ultra Violet Bulbs DPC Series

Xenon 8000K Bulbs Series

Led Warning Lights & Led Bars Lighting Solutions

106

LED Overhead Warning Lights Series

LED Warning Lightbar Series - NEON

LED Warning Lightbar Series - BEAD

LED Bars & Daytime Running Lights

LED WOLFLED Working Lights Series

LED Working Lights Series

LED Position Lights Series

LED End Outline Marker Lamps Series

LED Rear Tail Lights

LED Fog Lights

LED Plate Light

Reflectors

Heavy Vehicle Lighting Solutions

47

Halogen Headlight Bulbs

Truck Vision 150 Series

Stop Signal Bulbs

Bottomless Bulbs Series

Sofit Bulbs Series

Soket Indicator Bulbs Series

Led Xenon Lighting Solutions

90

Dora LED Series

Luna LED Series

Wolfled LED Series

Motorcycle Lighting Solutions

159

Halogen Headlight Bulbs

Accessory Solutions

162

Air Compressors

Electric Solutions

164

Horns

Relays

LED Trailer Plug And Truck Trailer Cable

Axial Fans

Automobile Lighting Solutions

High-Performance Lighting Solutions for 12-Volt Vehicles Wolfram offers high-performance lighting solutions designed for 12-volt vehicles.

The wide range of products appeals to all needs and tastes. Whether you are looking for classic halogen lighting or modern and special effect solutions, you can find what you are looking for at Wolfram. The Halogen Headlight Bulb Series offers a reliable and economical lighting solution, while the Lensed Bulb Series provides a more focused and clear light. While the Stop Signal Bulb Series increases your safety, the Dipsiz Bulb Series and Sofit Bulb Series combine elegance and functionality in interior lighting. The Socketed Indicator Bulb Series ensures that your instrument panel is clear and readable. Our special series take your driving experience to the next level. The Halogen Sky Blue Series gives your vehicle a modern and eye-catching look, while the Halogen Night Vision Series significantly increases your visibility during night driving. The Halogen Ultra Vision Series offers excellent lighting in all conditions with its extraordinary brightness.

Why Wolfram Lighting Solutions?

Wide Range of Products: Bulb options suitable for all needs.

High Performance: Superior lighting power and long life.

Increased Safety: Better visibility day and night.

Stylish Design: Special series that give your vehicle a modern look.

Reliability: High-quality materials and meticulous production process.

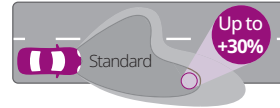
Make your driving safer, more comfortable and more enjoyable with Wolfram bulbs, most of which are produced in Germany. With its high performance, stylish design and long life features, Wolfram has an E certificate in accordance with European standards and is your reliable partner in vehicle lighting solutions.



Halogen Headlight Bulbs Series



Beam Performance



Light Color



Sky Blue 50 Series



Beam Performance



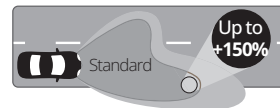
Light Color



Night Vision 150 Series



Beam Performance



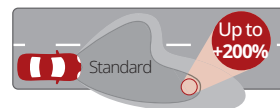
Light Color



Ultra Vision 200 Series



Beam Performance



Light Color



Automobile Lighting Solutions

Miniature Halogen Bulbs Series



Stop Signal Bulbs Series



Wedge Base Bulbs Series



Festoon Bulbs Series



Socket Indicator Bulbs Series





Halogen Headlight Bulbs Series

WOLFRAM
PREMIUM QUALITY



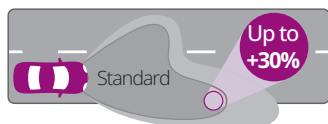
Reliable and Economical Lighting Most of the production is made in Germany Wolfram's standard halogen series is a reliable and economical lighting solution for 12-volt vehicles. These bulbs are produced with standard halogen technology and offer a safe driving experience by clearly illuminating your road.

Thanks to their affordable price and easy availability, they are an ideal option for vehicle owners. Wolfram standard halogen bulbs are long-lasting and durable, so you can get rid of the hassle of changing bulbs frequently. Whether you are in the city or on a long journey, enjoy a safe and comfortable drive with the Wolfram standard halogen series, which has an E certificate in accordance with European standards.

Available in



Beam Performance



Light Color

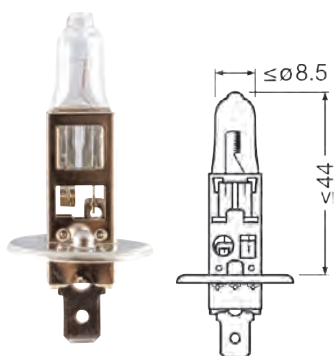
Up to 3200K



Standard: 3100K

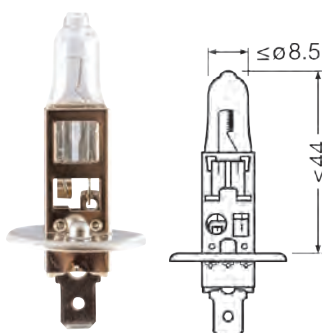
Automobile Lighting Solutions

Halogen Headlight Bulbs Series



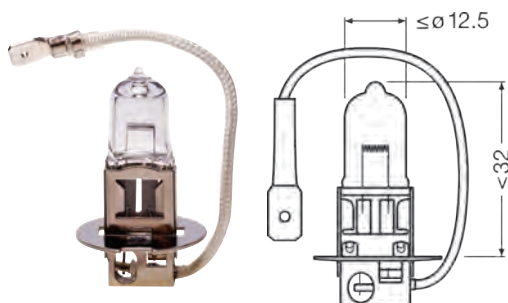
22101

Product Description : Standard Light
 Ece : H1
 Volt : 12 Volt
 Watt : 55 Watt
 Base : P14.5s
 Packaging Qty : 1
 Product Barcode : 8682005501014
 Bundle Qty : 10
 Bundle Barcode : 8682005504343
 Shipping Qty : 100
 Shipping Barcode : 8682005507672



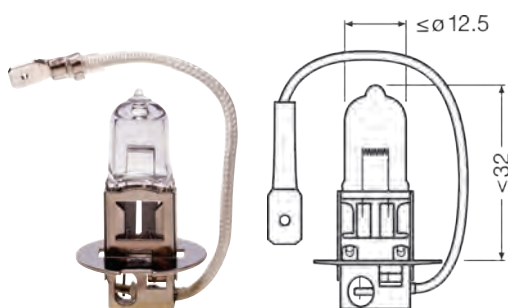
22102

Product Description : Standard Light
 Ece : H1
 Volt : 12 Volt
 Watt : 100 Watt
 Base : P14.5s
 Packaging Qty : 1
 Product Barcode : 8682005501021
 Bundle Qty : 10
 Bundle Barcode : 8682005504350
 Shipping Qty : 100
 Shipping Barcode : 8682005507689



22103

Product Description : Standard Light
 Ece : H3
 Volt : 12 Volt
 Watt : 55 Watt
 Base : PK22s
 Packaging Qty : 1
 Product Barcode : 8682005501038
 Bundle Qty : 10
 Bundle Barcode : 8682005504367
 Shipping Qty : 100
 Shipping Barcode : 8682005507696

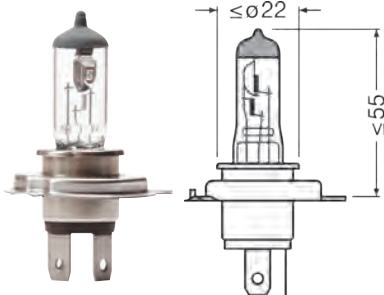


22113

Product Description : Standard Light
 Ece : H3
 Volt : 12 Volt
 Watt : 100 Watt
 Base : PK22s
 Packaging Qty : 1
 Product Barcode : 8682005501045
 Bundle Qty : 10
 Bundle Barcode : 8682005504374
 Shipping Qty : 100
 Shipping Barcode : 8682005507702

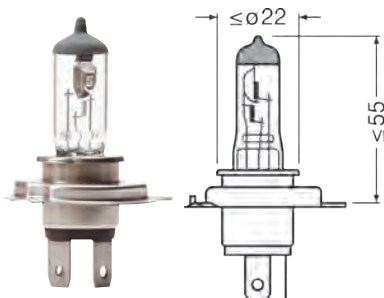
Halogen Headlight Bulbs Series

22144



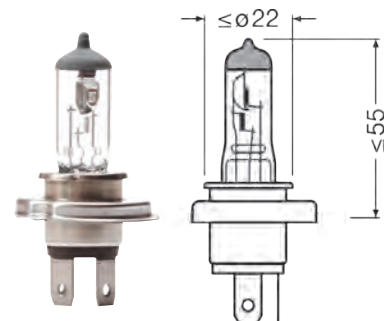
Product Description : Standard Light
 Ece : H4
 Volt : 12 Volt
 Watt : 60/55 Watt
 Base : P43t
 Packaging Qty : 1
 Product Barcode : 8682005501052
 Bundle Qty : 10
 Bundle Barcode : 8682005504381
 Shipping Qty : 100
 Shipping Barcode : 8682005507719

22145



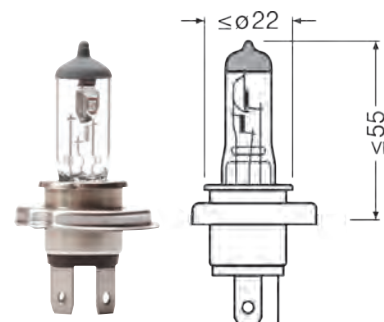
Product Description : Standard Light
 Ece : H4
 Volt : 12 Volt
 Watt : 100/90 Watt
 Base : P43t
 Packaging Qty : 1
 Product Barcode : 8682005501069
 Bundle Qty : 10
 Bundle Barcode : 8682005504398
 Shipping Qty : 100
 Shipping Barcode : 8682005507726

22158



Product Description : Standard Light
 Ece : H4
 Volt : 12 Volt
 Watt : 60/55 Watt
 Base : P45t
 Packaging Qty : 1
 Product Barcode : 8682005501076
 Bundle Qty : 10
 Bundle Barcode : 8682005504404
 Shipping Qty : 100
 Shipping Barcode : 8682005507733

22159

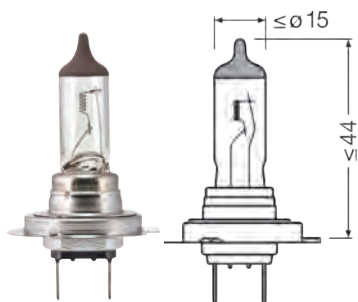


Product Description : Standard Light
 Ece : H4
 Volt : 12 Volt
 Watt : 100/90 Watt
 Base : P45t
 Packaging Qty : 1
 Product Barcode : 8682005501083
 Bundle Qty : 10
 Bundle Barcode : 8682005504411
 Shipping Qty : 100
 Shipping Barcode : 8682005507740

Automobile Lighting Solutions

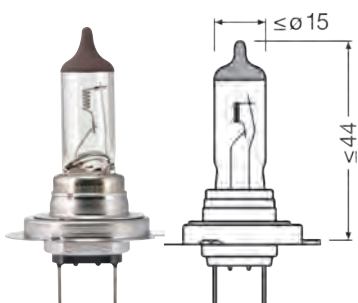
Halogen Headlight Bulbs Series

22197



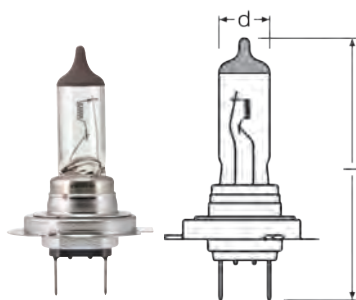
Product Description : Standard Light
 Ece : H7
 Volt : 12 Volt
 Watt : 55 Watt
 Base : PX26d
 Packaging Qty : 1
 Product Barcode : 8682005501090
 Bundle Qty : 10
 Bundle Barcode : 8682005504428
 Shipping Qty : 100
 Shipping Barcode : 8682005507757

22199



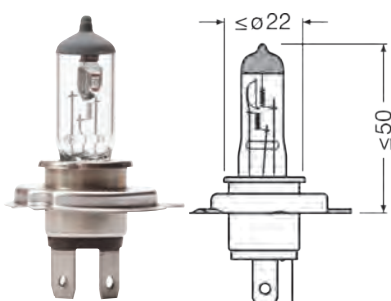
Product Description : Standard Light
 Ece : H7
 Volt : 12 Volt
 Watt : 80 Watt
 Base : PX26d
 Packaging Qty : 1
 Product Barcode : 8682005590676
 Bundle Qty : 10
 Bundle Barcode : 8682005509683
 Shipping Qty : 100
 Shipping Barcode : 8682005509690

22218



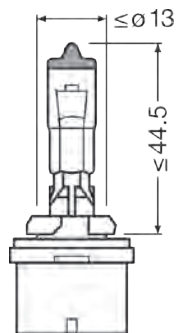
Product Description : Standard Light
 Ece : H18
 Volt : 12 Volt
 Watt : 65 Watt
 Base : PY26d-1
 Packaging Qty : 1
 Product Barcode : 8682005501106
 Bundle Qty : 10
 Bundle Barcode : 8682005504435
 Shipping Qty : 100
 Shipping Barcode : 8682005507764

22219



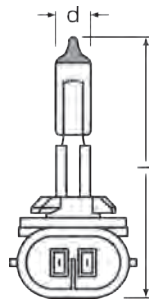
Product Description : Standard Light
 Ece : H19
 Volt : 12 Volt
 Watt : 60/55 Watt
 Base : PU43t-3
 Packaging Qty : 1
 Product Barcode : 8682005501113
 Bundle Qty : 10
 Bundle Barcode : 8682005504442
 Shipping Qty : 100
 Shipping Barcode : 8682005507771

Halogen Headlight Bulbs Series



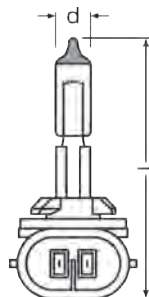
28880

Product Description : Standard Light
 Ece : 880
 Volt : 12 Volt
 Watt : 27 Watt
 Base : PG13
 Packaging Qty : 1
 Product Barcode : 8682005501571
 Bundle Qty : 10
 Bundle Barcode : 8682005504909
 Shipping Qty : 100
 Shipping Barcode : 8682005508235



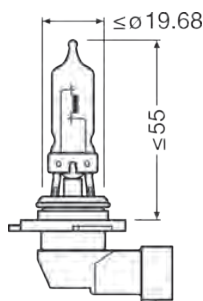
28881

Product Description : Standard Light
 Ece : 881
 Volt : 12 Volt
 Watt : 27 Watt
 Base : PGJ13
 Packaging Qty : 1
 Product Barcode : 8682005501588
 Bundle Qty : 10
 Bundle Barcode : 8682005504916
 Shipping Qty : 100
 Shipping Barcode : 8682005508242



28886

Product Description : Standard Light
 Ece : 886
 Volt : 12 Volt
 Watt : 50 Watt
 Base : PGJ13
 Packaging Qty : 1
 Product Barcode : 8682005501595
 Bundle Qty : 10
 Bundle Barcode : 8682005504923
 Shipping Qty : 100
 Shipping Barcode : 8682005508259



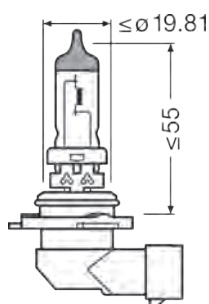
29005

Product Description : Standard Light
 Ece : HB3
 Volt : 12 Volt
 Watt : 60 Watt
 Base : P20d
 Packaging Qty : 1
 Product Barcode : 8682005501601
 Bundle Qty : 10
 Bundle Barcode : 8682005504930
 Shipping Qty : 100
 Shipping Barcode : 8682005508266

Automobile Lighting Solutions

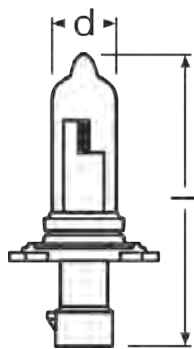
Halogen Headlight Bulbs Series

29006



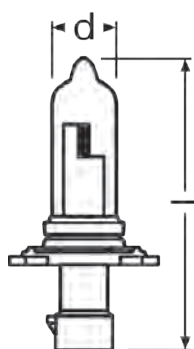
Product Description : Standard Light
 Ece : HB4
 Volt : 12 Volt
 Watt : 51 Watt
 Base : P22d
 Packaging Qty : 1
 Product Barcode : 8682005501618
 Bundle Qty : 10
 Bundle Barcode : 8682005504947
 Shipping Qty : 100
 Shipping Barcode : 8682005508273

29005XS



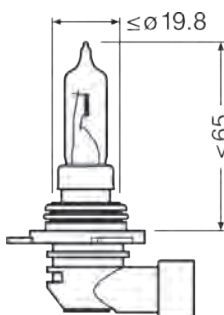
Product Description : Standard Light
 Ece : HB3A
 Volt : 12 Volt
 Watt : 60 Watt
 Base : P20d
 Packaging Qty : 1
 Product Barcode : 8682005501625
 Bundle Qty : 10
 Bundle Barcode : 8682005504954
 Shipping Qty : 100
 Shipping Barcode : 8682005508280

29006XS



Product Description : Standard Light
 Ece : HB4A
 Volt : 12 Volt
 Watt : 51 Watt
 Base : P22d
 Packaging Qty : 1
 Product Barcode : 8682005501632
 Bundle Qty : 10
 Bundle Barcode : 8682005504961
 Shipping Qty : 100
 Shipping Barcode : 8682005508297

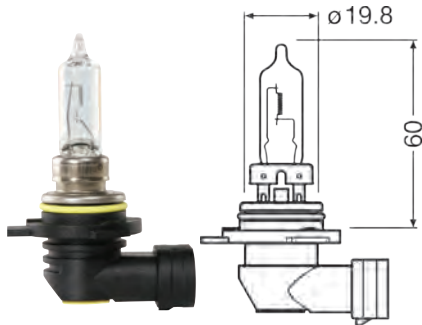
29011



Product Description : Standard Light
 Ece : HIR 1
 Volt : 12 Volt
 Watt : 65 Watt
 Base : PX20d
 Packaging Qty : 1
 Product Barcode : 8682005501649
 Bundle Qty : 10
 Bundle Barcode : 8682005504978
 Shipping Qty : 100
 Shipping Barcode : 8682005508303

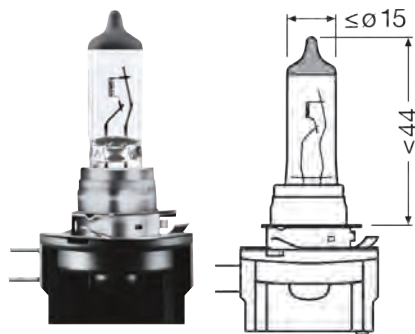
Halogen Headlight Bulbs Series

29012



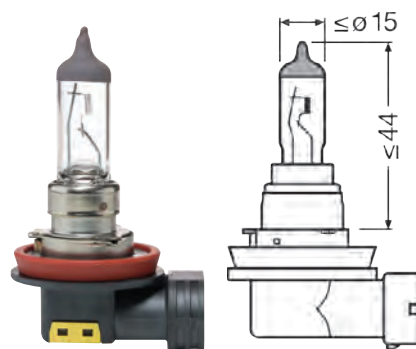
Product Description : Standard Light
 Ece : HIR 2
 Volt : 12 Volt
 Watt : 55 Watt
 Base : PX22d
 Packaging Qty : 1
 Product Barcode : 8682005501656
 Bundle Qty : 10
 Bundle Barcode : 8682005504985
 Shipping Qty : 100
 Shipping Barcode : 8682005508310

29217



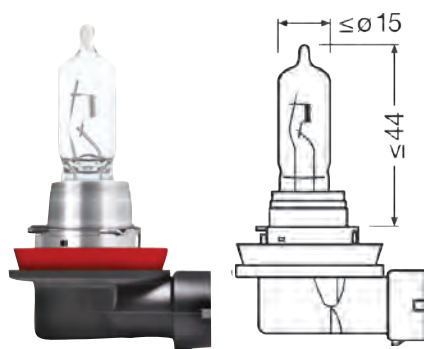
Product Description : Standard Light
 Ece : H8B
 Volt : 12 Volt
 Watt : 35 Watt
 Base : PGJY19-1
 Packaging Qty : 1
 Product Barcode : 8682005508952
 Bundle Qty : 10
 Bundle Barcode : 8682005508969
 Shipping Qty : 100
 Shipping Barcode : 8682005508976

29218



Product Description : Standard Light
 Ece : H8
 Volt : 12 Volt
 Watt : 35 Watt
 Base : PGJ19-1
 Packaging Qty : 1
 Product Barcode : 8682005501663
 Bundle Qty : 10
 Bundle Barcode : 8682005504992
 Shipping Qty : 100
 Shipping Barcode : 8682005508327

29219

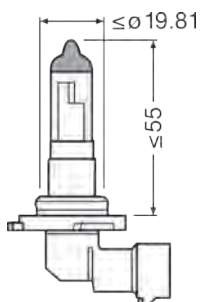


Product Description : Standard Light
 Ece : H9
 Volt : 12 Volt
 Watt : 65 Watt
 Base : PGJ19-5
 Packaging Qty : 1
 Product Barcode : 8682005501670
 Bundle Qty : 10
 Bundle Barcode : 8682005505005
 Shipping Qty : 100
 Shipping Barcode : 8682005508334

Automobile Lighting Solutions

Halogen Headlight Bulbs Series

29310



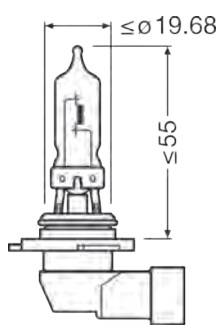
Product Description : Standard Light
 Ece : H10
 Volt : 12 Volt
 Watt : 42 Watt
 Base : PY20d
 Packaging Qty : 1
 Product Barcode : 8682005501687
 Bundle Qty : 10
 Bundle Barcode : 8682005505012
 Shipping Qty : 100
 Shipping Barcode : 8682005508341

29311



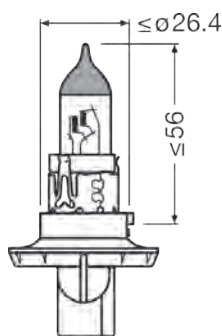
Product Description : Standard Light
 Ece : H11
 Volt : 12 Volt
 Watt : 55 Watt
 Base : PGJ19-2
 Packaging Qty : 1
 Product Barcode : 8682005501694
 Bundle Qty : 10
 Bundle Barcode : 8682005505029
 Shipping Qty : 100
 Shipping Barcode : 8682005508358

29312



Product Description : Standard Light
 Ece : H12
 Volt : 12 Volt
 Watt : 53 Watt
 Base : PZ20d
 Packaging Qty : 1
 Product Barcode : 8682005501700
 Bundle Qty : 10
 Bundle Barcode : 8682005505036
 Shipping Qty : 100
 Shipping Barcode : 8682005508365

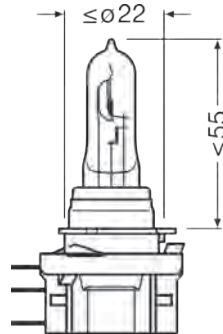
29313



Product Description : Standard Light
 Ece : H13
 Volt : 12 Volt
 Watt : 60/55 Watt
 Base : P26.4t
 Packaging Qty : 1
 Product Barcode : 8682005501717
 Bundle Qty : 10
 Bundle Barcode : 8682005505043
 Shipping Qty : 100
 Shipping Barcode : 8682005508372

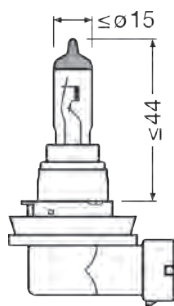
Halogen Headlight Bulbs Series

29315



Product Description : Standard Light
 Ece : H15
 Volt : 12 Volt
 Watt : 15/55 Watt
 Base : PGJ23t-1
 Packaging Qty : 1
 Product Barcode : 8682005501724
 Bundle Qty : 10
 Bundle Barcode : 8682005505050
 Shipping Qty : 100
 Shipping Barcode : 8682005508389

29316



Product Description : Standard Light
 Ece : H16
 Volt : 12 Volt
 Watt : 19 Watt
 Base : PGJ19-3
 Packaging Qty : 1
 Product Barcode : 8682005501731
 Bundle Qty : 10
 Bundle Barcode : 8682005505067
 Shipping Qty : 100
 Shipping Barcode : 8682005508396

29951



Product Description : Standard Light
 Ece : R2
 Volt : 12 Volt
 Watt : 45/40 Watt
 Base : P45t
 Packaging Qty : 1
 Product Barcode : 8682005502813
 Bundle Qty : 10
 Bundle Barcode : 8682005506149
 Shipping Qty : 100
 Shipping Barcode : 8682005509478

Automobile Lighting Solutions



Sky Blue 50 Series

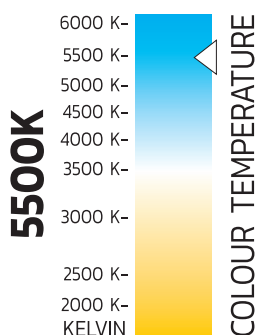
WOLFRAM
PREMIUM QUALITY



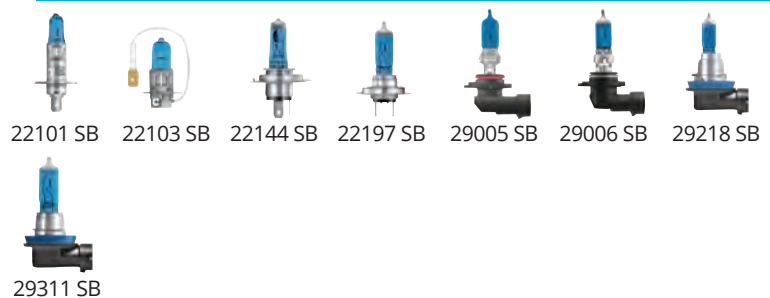
Superior Lighting with Xenon Look Wolfram's Sky Blue series, with its 5500 Kelvin Ice White Blue color temperature and +% 50 more light power, gives your vehicle a xenon-like appearance while offering a unique white color lighting experience during your night driving.

This special series increases your driving safety by making road signs and obstacles more visible thanks to the bright and blue-toned light it emits. Sky Blue bulbs provide a wider viewing angle than standard halogen bulbs, making your night journeys more comfortable. With both its stylish look and high performance, the Wolfram Sky Blue series adds a modern touch to your vehicle while also prioritizing your safety.

	BRIGHTNESS	DISTANCE	LIFETIME
STANDARD	○○○○○○○○○○○○○○	○○○○○○○○○○○○○○	○○○○○○○○○○○○○○
SKY BLUE 50	●●●●●●●●●●○○	●●●●●●●●●●○○	●●●●●●●●○○○○

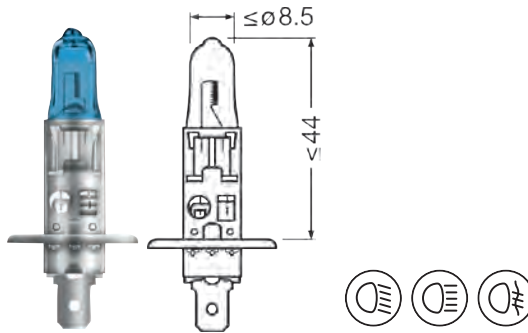


Available in



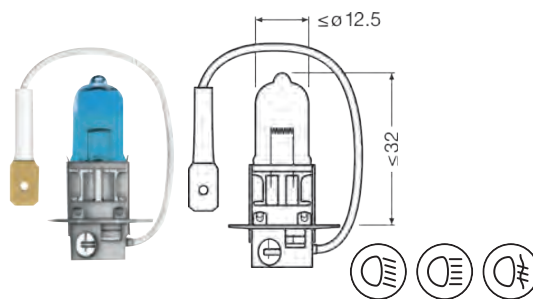
SkyBlue 50 Series

22101 SB



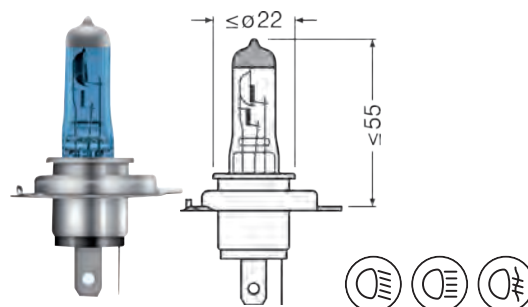
Product Description : Sky Blue White
 Ece : H1
 Volt : 12 Volt
 Watt : 100 Watt
 Base : P14.5s
 Packaging Qty : 2
 Product Barcode : 8682005502493
 Shipping Qty : 5 Sets
 Shipping Barcode : 8682005509157

22103 SB



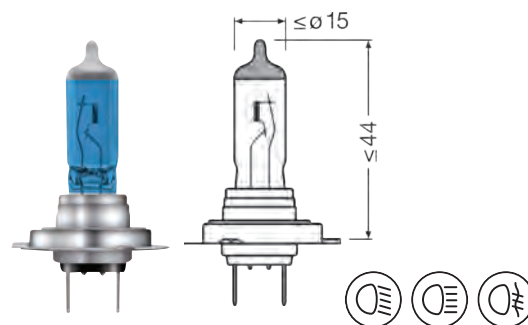
Product Description : Sky Blue White
 Ece : H3
 Volt : 12 Volt
 Watt : 100 Watt
 Base : PK22s
 Packaging Qty : 2
 Product Barcode : 8682005502509
 Shipping Qty : 5 Sets
 Shipping Barcode : 8682005509164

22144 SB



Product Description : Sky Blue White
 Ece : H4
 Volt : 12 Volt
 Watt : 100/90 Watt
 Base : P43t
 Packaging Qty : 2
 Product Barcode : 8682005502516
 Shipping Qty : 5 Sets
 Shipping Barcode : 8682005509171

22197 SB

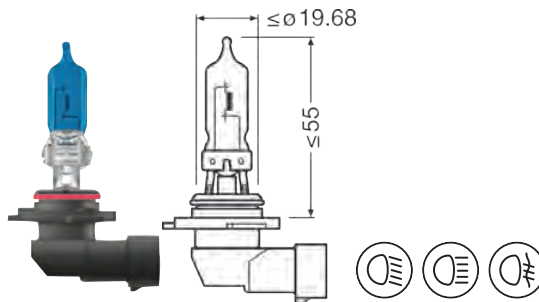


Product Description : Sky Blue White
 Ece : H7
 Volt : 12 Volt
 Watt : 100 Watt
 Base : PX26d
 Packaging Qty : 2
 Product Barcode : 8682005502523
 Shipping Qty : 5 Sets
 Shipping Barcode : 8682005509188

Automobile Lighting Solutions

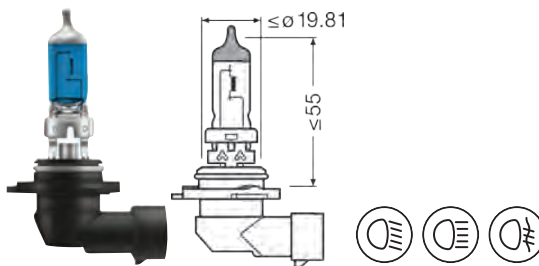
SkyBlue 50 Series

29005 SB



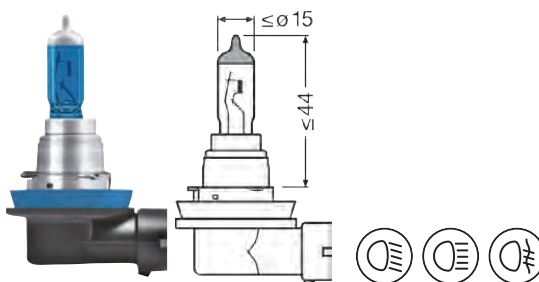
Product Description : Sky Blue White
 Ece : HB3
 Volt : 12 Volt
 Watt : 100 Watt
 Base : P20d
 Packaging Qty : 2
 Product Barcode : 8682005502530
 Shipping Qty : 5 Sets
 Shipping Barcode : 8682005509195

29006 SB



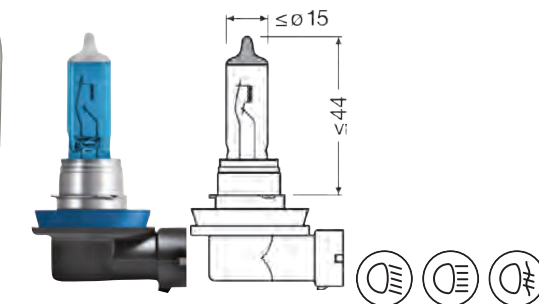
Product Description : Sky Blue White
 Ece : HB4
 Volt : 12 Volt
 Watt : 80 Watt
 Base : P22d
 Packaging Qty : 2
 Product Barcode : 8682005502547
 Shipping Qty : 5 Sets
 Shipping Barcode : 8682005509294

29218 SB



Product Description : Sky Blue White
 Ece : H8
 Volt : 12 Volt
 Watt : 35 Watt
 Base : PGJ19-1
 Packaging Qty : 2
 Product Barcode : 8682005502554
 Shipping Qty : 5 Sets
 Shipping Barcode : 8682005509317

29311 SB



Product Description : Sky Blue White
 Ece : H11
 Volt : 12 Volt
 Watt : 55 Watt
 Base : PGJ19-2
 Packaging Qty : 2
 Product Barcode : 8682005502561
 Shipping Qty : 5 Sets
 Shipping Barcode : 8682005509324



Night Vision 150 Series

WOLFRAM
PREMIUM QUALITY

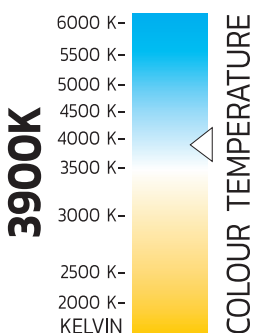
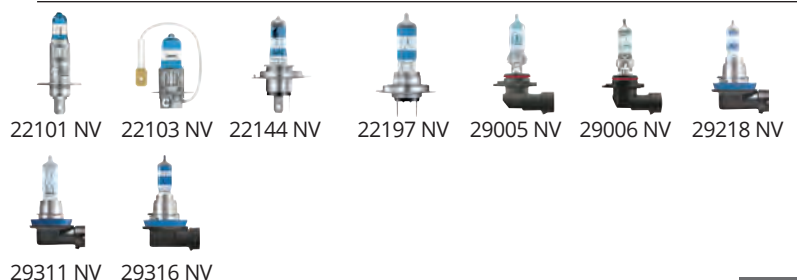


Xenon Appearance that Turns Night into Day produced with high technology thanks to the special coating on its glass Wolfram's Night Vision series offers an extraordinary lighting performance during your night drives with +150% more light power compared to standard products with a color temperature of 3900 Kelvin.

This series maximizes your driving safety by allowing you to see your road more clearly thanks to its bright and white light similar to xenon. Night Vision bulbs offer a wider viewing angle compared to standard halogen bulbs, illuminating more areas in the dark. Providing excellent performance in difficult weather conditions, the Wolfram Night Vision series makes your night drives safer and more comfortable. While giving your vehicle a modern look, it has an E certificate in accordance with European standards; It also significantly improves your safe night vision.

	BRIGHTNESS	DISTANCE	LIFETIME
STANDARD	○○○○○○○○○○○○	○○○○○○○○○○○○	○○○○○○○○○○○○
NIGHT VISION 150	●●●●●●●●●●	●●●●●●●●●●	●●●●●●●●●●

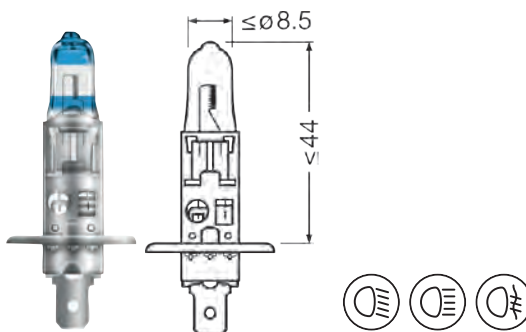
Available in



Automobile Lighting Solutions

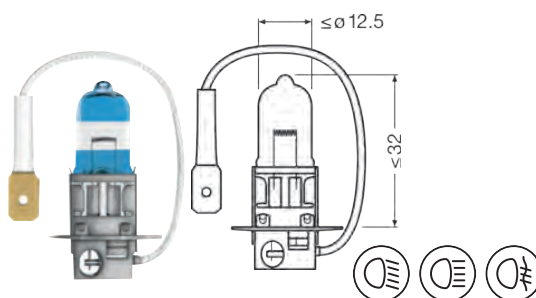
Night Vision 150 Series

22101 NV



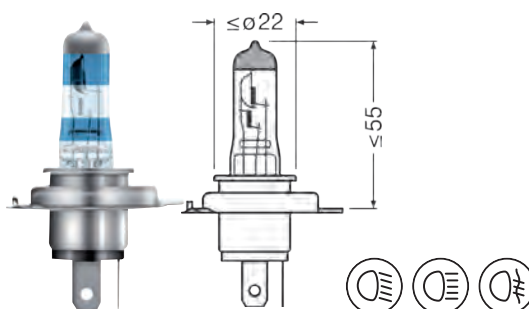
Product Description : Night Vision
 Ece : H1
 Volt : 12 Volt
 Watt : 55 Watt
 Base : P14.5s
 Packaging Qty : 2
 Product Barcode : 8682005502585
 Shipping Qty : 5 Sets
 Shipping Barcode : 8682005509249

22103 NV



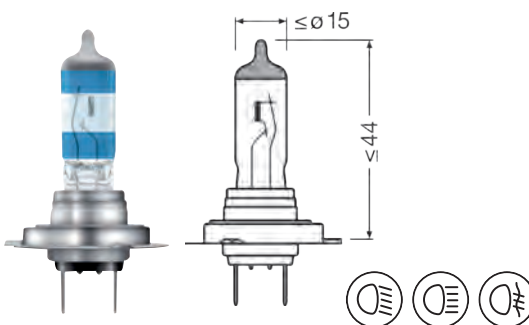
Product Description : Night Vision
 Ece : H3
 Volt : 12 Volt
 Watt : 55 Watt
 Base : PK22s
 Packaging Qty : 2
 Product Barcode : 8682005502592
 Shipping Qty : 5 Sets
 Shipping Barcode : 8682005509256

22144 NV



Product Description : Night Vision
 Ece : H4
 Volt : 12 Volt
 Watt : 60/55 Watt
 Base : P43t
 Packaging Qty : 2
 Product Barcode : 8682005502608
 Shipping Qty : 5 Sets
 Shipping Barcode : 8682005509263

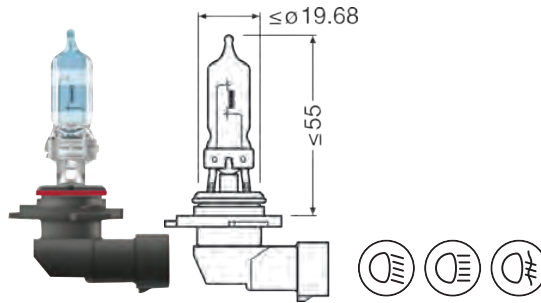
22197 NV



Product Description : Night Vision
 Ece : H7
 Volt : 12 Volt
 Watt : 55 Watt
 Base : PX26d
 Packaging Qty : 2
 Product Barcode : 8682005502615
 Shipping Qty : 5 Sets
 Shipping Barcode : 8682005509270

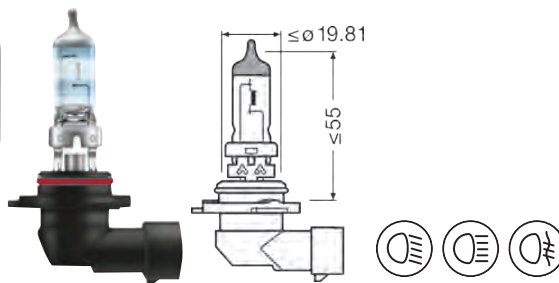
Night Vision 150 Series

29005 NV



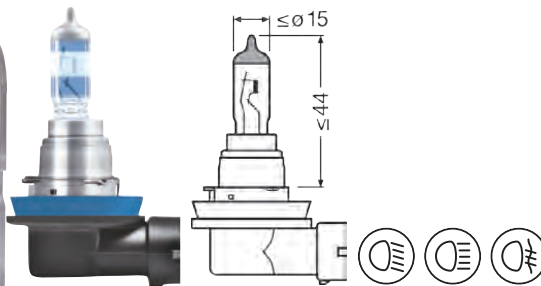
Product Description : Night Vision
 Ece : HB3
 Volt : 12 Volt
 Watt : 60 Watt
 Base : P20d
 Packaging Qty : 2
 Product Barcode : 8682005502622
 Shipping Qty : 5 Sets
 Shipping Barcode : 8682005509287

29006 NV



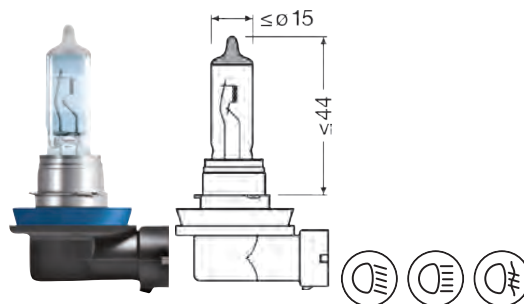
Product Description : Night Vision
 Ece : HB4
 Volt : 12 Volt
 Watt : 51 Watt
 Base : P22d
 Packaging Qty : 2
 Product Barcode : 8682005502639
 Shipping Qty : 5 Sets
 Shipping Barcode : 8682005509294

29218 NV



Product Description : Night Vision
 Ece : H8
 Volt : 12 Volt
 Watt : 35 Watt
 Base : PGJ19-1
 Packaging Qty : 2
 Product Barcode : 8682005502653
 Shipping Qty : 5 Sets
 Shipping Barcode : 8682005509317

29311 NV

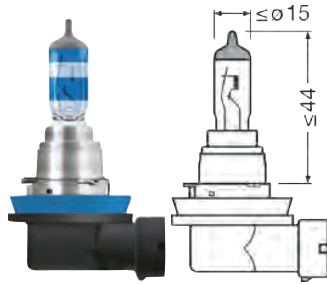


Product Description : Night Vision
 Ece : H11
 Volt : 12 Volt
 Watt : 55 Watt
 Base : PGJ19-2
 Packaging Qty : 2
 Product Barcode : 8682005502660
 Shipping Qty : 5 Sets
 Shipping Barcode : 8682005509324

Automobile Lighting Solutions

Night Vision 150 Series

29316 NV



Product Description : Night Vision
Ece : H16
Volt : 12 Volt
Watt : 19 Watt
Base : PGJ19-3
Packaging Qty : 2
Product Barcode : 8682005502677
Shipping Qty : 5 Sets
Shipping Barcode : 8682005509331



Ultra Vision 200 Series

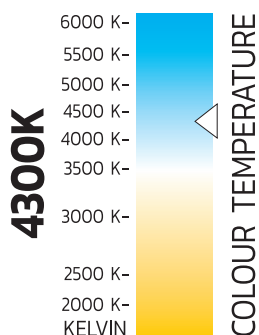
WOLFRAM
PREMIUM QUALITY



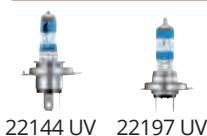
Xenon Elegance with Unrivaled Lighting Wolfram's Ultra Vision series offers a unique lighting experience during your night drives with its 4300 Kelvin color temperature and +200% more light power compared to standard products.

Thanks to its xenon-like bright and white light, this series maximizes your driving safety by illuminating your road as if it were daytime. Ultra Vision bulbs provide a much wider viewing angle than standard halogen bulbs, ensuring you don't miss any details in the dark. Providing superior performance even in difficult weather conditions, the Wolfram Ultra Vision series makes your night drives safer and more comfortable. While it gives your vehicle a modern and stylish look, it has an E certificate in accordance with European standards and incredibly improves your safe night vision.

	BRIGHTNESS	DISTANCE	LIFETIME
STANDARD	○○○○○○○○○○○○	○○○○○○○○○○○○	○○○○○○○○○○○○
ULTRA VISION 200	●●●●●●●●●●	●●●●●●●●●●	●●○○○○○○○○



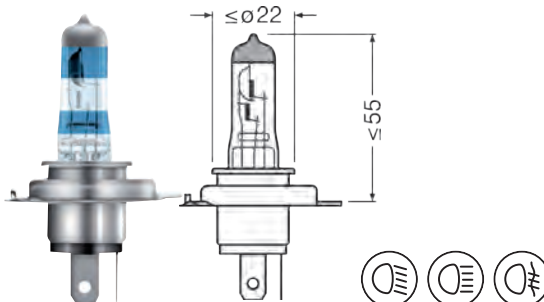
Available in



Automobile Lighting Solutions

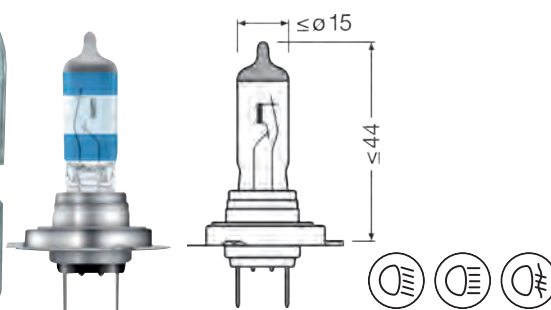
Ultra Vision 200 Series

22144 UV



Product Description : Ultra Vision
Ece : H4
Volt : 12 Volt
Watt : 60/55 Watt
Base : P43t
Packaging Qty : 2
Product Barcode : 8682005503193
Shipping Qty : 5 Sets
Shipping Barcode : 8682005509850

22197 UV



Product Description : Ultra Vision
Ece : H7
Volt : 12 Volt
Watt : 55 Watt
Base : PX26d
Packaging Qty : 2
Product Barcode : 8682005503209
Shipping Qty : 5 Sets
Shipping Barcode : 8682005509867



Miniature Halogen Bulbs Series

WOLFRAM
PREMIUM QUALITY



Reliable and Economical Lighting, most of which is produced in Germany Wolfram's standard miniature halogen series is a reliable and economical lighting solution for 12-volt vehicles.

These bulbs are produced with standard halogen technology and provide a strong view by clearly illuminating your vehicle's parking lights and ceiling lights. Thanks to their affordable price and easy availability, they are an ideal option for vehicle owners.

Wolfram standard miniature halogen bulbs are long-lasting and durable, so you can get rid of the hassle of changing bulbs frequently. Whether you are in the city or on a long journey, the Wolfram standard miniature halogen series has an E certificate in accordance with European standards and enjoy your vehicle with safe and comfortable lighting.

Available in



25121

25132

25133

25134

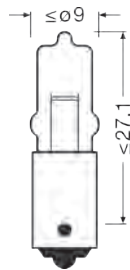
25136

25137

Automobile Lighting Solutions

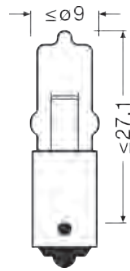
Miniature Halogen Bulbs Series

25121



Product Description : Miniature Halogen
Ece : H5
Volt : 12 Volt
Watt : 5 Watt
Base : BA9s
Packaging Qty : 10
Product Barcode : 8682005502431
Shipping Qty : 50
Shipping Barcode : 8682005509096

25132



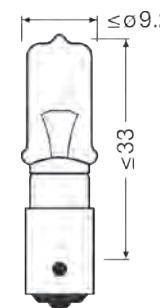
Product Description : Miniature Halogen
Ece : H6
Volt : 12 Volt
Watt : 6 Watt
Base : BAX9s
Packaging Qty : 10
Product Barcode : 8682005502448
Shipping Qty : 50
Shipping Barcode : 8682005509102

25133



Product Description : Miniature Halogen
Ece : H10
Volt : 12 Volt
Watt : 10 Watt
Base : BA9s
Packaging Qty : 10
Product Barcode : 8682005502455
Shipping Qty : 50
Shipping Barcode : 8682005509119

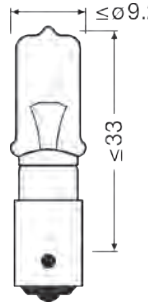
25136



Product Description : Miniature Halogen
Ece : H21
Volt : 12 Volt
Watt : 21 Watt
Base : BAY9s
Packaging Qty : 10
Product Barcode : 8682005502462
Shipping Qty : 50
Shipping Barcode : 8682005509126

Miniature Halogen Bulbs Series

25137



Product Description : Miniature Halogen
Ece : HY21
Volt : 12 Volt
Watt : 21 Watt
Base : BAW9s
Packaging Qty : 10
Product Barcode : 8682005502479
Shipping Qty : 50
Shipping Barcode : 8682005509133

Automobile Lighting Solutions



Stop Signal Bulbs Series

WOLFRAM
PREMIUM QUALITY



A Bright Solution That Prioritizes Your Safety Wolfram's stop signal bulb series is a high-performance and reliable lighting solution designed for 12-volt vehicles.

It increases your safety by allowing other drivers to easily notice you with its standard light power. Thanks to its fast response time, it instantly activates when you brake and sends a timely warning to vehicles behind.

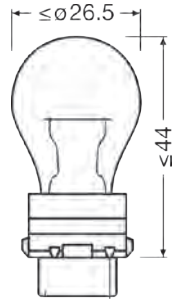
Wolfram stop signal bulbs also stand out with their long-lasting structure and easy installation. In order not to risk your safety, Wolfram stop signal bulbs have an E certificate in accordance with European standards and make your journeys safer and more secure.

Available in



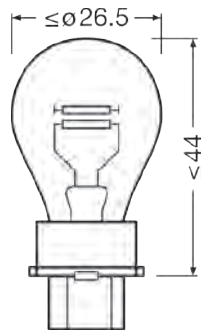
Stop Signal Bulbs Series

23156



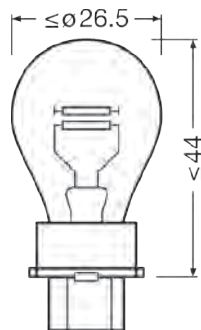
Product Description : Plastic Base
 Ece : P27W
 Volt : 12 Volt
 Watt : 27 Watt
 Base : W2.5x16d
 Packaging Qty : 10
 Product Barcode : 8682005508679
 Shipping Qty : 50
 Shipping Barcode : 8682005508693

23157



Product Description : Plastic Base
 Ece : P27/7W
 Volt : 12 Volt
 Watt : 27/7 Watt
 Base : W2.5x16q
 Packaging Qty : 10
 Product Barcode : 8682005508709
 Shipping Qty : 50
 Shipping Barcode : 8682005508723

23158



Product Description : Plastic Base
 Ece : PY27/7W
 Volt : 12 Volt
 Watt : 27/7 Watt
 Base : W2.5x16q
 Packaging Qty : 10
 Product Barcode : 8682005508730
 Shipping Qty : 50
 Shipping Barcode : 8682005508754

27853



Product Description : Metal Base
 Ece : T4W
 Volt : 12 Volt
 Watt : 4 Watt
 Base : BA9s
 Packaging Qty : 10
 Product Barcode : 8682005501298
 Shipping Qty : 200
 Shipping Barcode : 8682005507955

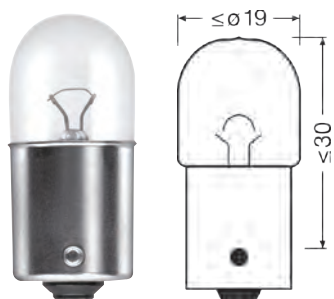
Automobile Lighting Solutions

Stop Signal Bulbs Series



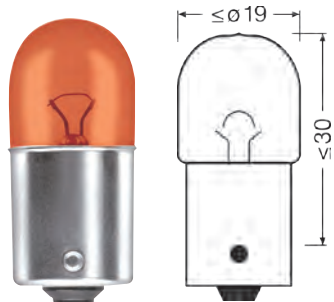
27867

Product Description : Metal Base
Ece : R5W
Volt : 12 Volt
Watt : 5 Watt
Base : BA15s
Packaging Qty : 10
Product Barcode : 8682005501304
Shipping Qty : 200
Shipping Barcode : 8682005507962



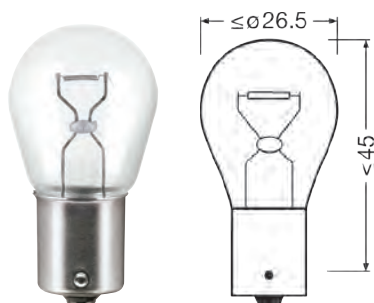
27870

Product Description : Metal Base
Ece : R10W
Volt : 12 Volt
Watt : 10 Watt
Base : BA15s
Packaging Qty : 10
Product Barcode : 8682005501311
Shipping Qty : 200
Shipping Barcode : 8682005507979



27877

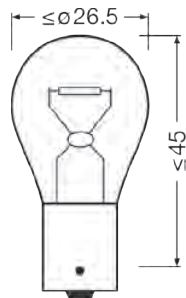
Product Description : Metal Base
Ece : RY10W
Volt : 12 Volt
Watt : 10 Watt
Base : BA15s
Packaging Qty : 10
Product Barcode : 8682005501328
Shipping Qty : 200
Shipping Barcode : 8682005507986



27893

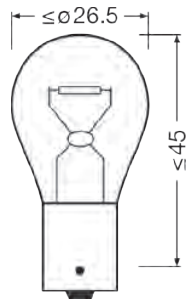
Product Description : Metal Base
Ece : P21W
Volt : 12 Volt
Watt : 21 Watt
Base : BA15s
Packaging Qty : 10
Product Barcode : 8682005501335
Shipping Qty : 200
Shipping Barcode : 8682005507993

Stop Signal Bulbs Series



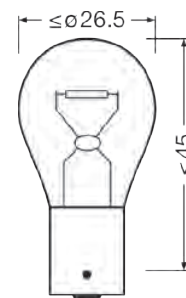
27897

Product Description : Metal Base
 Ece : PY21W
 Volt : 12 Volt
 Watt : 21 Watt
 Base : BAU15s
 Packaging Qty : 10
 Product Barcode : 8682005501342
 Shipping Qty : 200
 Shipping Barcode : 8682005508006



27899

Product Description : Metal Base
 Ece : PY21W
 Volt : 12 Volt
 Watt : 21 Watt
 Base : BA15s
 Packaging Qty : 10
 Product Barcode : 8682005502806
 Shipping Qty : 200
 Shipping Barcode : 8682005509461



27900

Product Description : Metal Base
 Ece : PY21W
 Volt : 12 Volt
 Watt : 21 Watt
 Base : BAU15s
 Packaging Qty : 2
 Product Barcode : 8682005509829
 Shipping Qty : 20 Set
 Shipping Barcode : 8682005509874

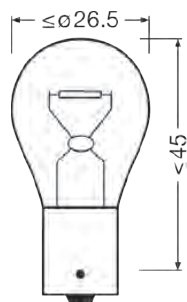


27903

Product Description : Metal Base
 Ece : PR21W
 Volt : 12 Volt
 Watt : 21 Watt
 Base : BAU15s
 Packaging Qty : 10
 Product Barcode : 8682005502691
 Shipping Qty : 50
 Shipping Barcode : 8682005509355

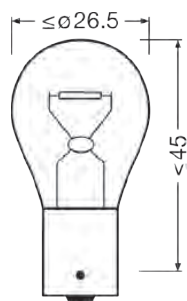
Automobile Lighting Solutions

Stop Signal Bulbs Series



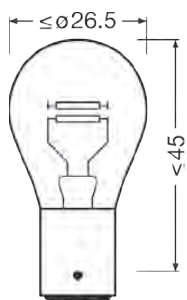
27905

Product Description : Metal Base
 Ece : PR21W
 Volt : 12 Volt
 Watt : 21 Watt
 Base : BA15s
 Packaging Qty : 10
 Product Barcode : 8682005502707
 Shipping Qty : 50
 Shipping Barcode : 8682005509362



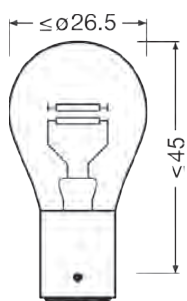
27906

Product Description : Metal Base
 Ece : PR21W
 Volt : 12 Volt
 Watt : 21 Watt
 Base : BAW9s
 Packaging Qty : 10
 Product Barcode : 8682005502714
 Shipping Qty : 50
 Shipping Barcode : 8682005509379



27916

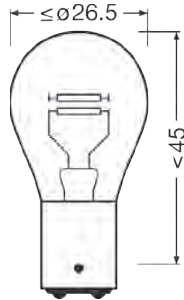
Product Description : Metal Base
 Ece : P21/5W
 Volt : 12 Volt
 Watt : 21/5 Watt
 Base : BAY15d
 Packaging Qty : 10
 Product Barcode : 8682005501359
 Shipping Qty : 200
 Shipping Barcode : 8682005508013



27918

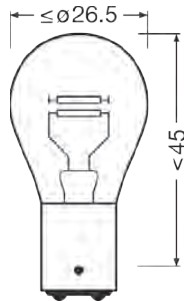
Product Description : Metal Base
 Ece : P21/4W
 Volt : 12 Volt
 Watt : 21/4 Watt
 Base : BAZ15d
 Packaging Qty : 10
 Product Barcode : 8682005501366
 Shipping Qty : 200
 Shipping Barcode : 8682005508020

Stop Signal Bulbs Series



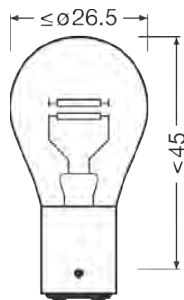
27937

Product Description : Metal Base
 Ece : PY21/5W
 Volt : 12 Volt
 Watt : 21/5 Watt
 Base : BAY15d
 Packaging Qty : 10
 Product Barcode : 8682005502837
 Shipping Qty : 200
 Shipping Barcode : 8682005509492



27939

Product Description : Metal Base
 Ece : PR21/5W
 Volt : 12 Volt
 Watt : 21/5 Watt
 Base : BA15d
 Packaging Qty : 10
 Product Barcode : 8682005502738
 Shipping Qty : 50
 Shipping Barcode : 8682005509393



27976

Product Description : Metal Base
 Ece : P21/5W
 Volt : 12 Volt
 Watt : 21/5 Watt
 Base : BA15d
 Packaging Qty : 10
 Product Barcode : 8682005502738
 Shipping Qty : 200
 Shipping Barcode : 8682005509393

Automobile Lighting Solutions



Wedge Base Bulbs Series

WOLFRAM
PREMIUM QUALITY



Versatile Lighting, Easy Use Wolfram's bottomless bulb series is a versatile and practical lighting solution designed for 12-volt vehicles. Thanks to its bottomless design, it can be easily installed and removed, which greatly simplifies installation and replacement processes. With its standard light power, it has a wide range of uses from interior lighting to instrument panels.

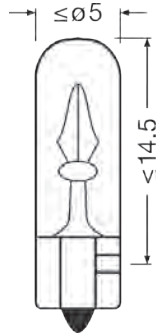
Wolfram bottomless bulbs also stand out with their durable structure and long life. Wolfram bottomless bulbs have an E certificate in accordance with European standards to provide the lighting you need in different parts of your vehicle, and enjoy safe lighting and practicality.

Available in



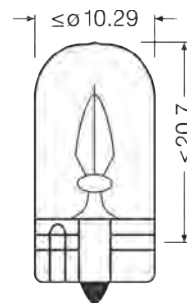
Wedge Base Bulbs Series

26112



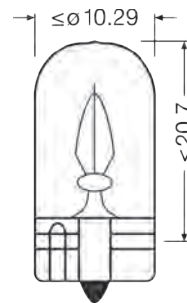
Product Description : Glass Wedge Base
 Ece : T5
 Volt : 12 Volt
 Watt : 1,2 Watt
 Base : W2x4.6d
 Packaging Qty : 10
 Product Barcode : 8682005501175
 Shipping Qty : 200
 Shipping Barcode : 8682005507832

26113



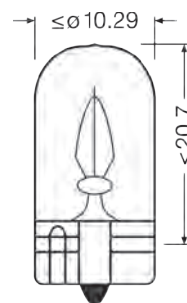
Product Description : Glass Wedge Base
 Ece : T10
 Volt : 12 Volt
 Watt : 3 Watt
 Base : W2.1x9.5d
 Packaging Qty : 10
 Product Barcode : 8682005501182
 Shipping Qty : 200
 Shipping Barcode : 8682005507849

26305



Product Description : Glass Wedge Base
 Ece : T10
 Volt : 12 Volt
 Watt : 5 Watt
 Base : W2.1x9.5d
 Packaging Qty : 10
 Product Barcode : 8682005501199
 Shipping Qty : 200
 Shipping Barcode : 8682005507856

26307

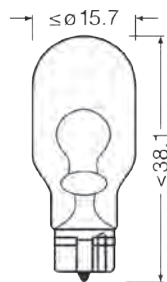


Product Description : Glass Wedge Base
 Ece : T10
 Volt : 12 Volt
 Watt : 5 Watt
 Base : W2.1x9.5d
 Packaging Qty : 10
 Product Barcode : 8682005501205
 Shipping Qty : 200
 Shipping Barcode : 8682005507863

Automobile Lighting Solutions

Wedge Base Bulbs Series

26315



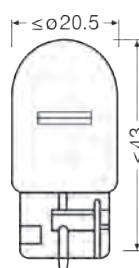
Product Description : Glass Wedge Base
 Ece : T15
 Volt : 12 Volt
 Watt : 16 Watt
 Base : W2.1x9.5d
 Packaging Qty : 10
 Product Barcode : 8682005501212
 Shipping Qty : 200
 Shipping Barcode : 8682005507870

26317



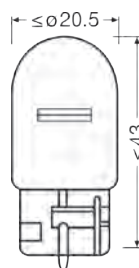
Product Description : Glass Wedge Base
 Ece : T15
 Volt : 12 Volt
 Watt : 16 Watt
 Base : W2.1x9.5d
 Packaging Qty : 10
 Product Barcode : 8682005501229
 Shipping Qty : 200
 Shipping Barcode : 8682005507887

26420



Product Description : Glass Wedge Base
 Ece : T20
 Volt : 12 Volt
 Watt : 21 Watt
 Base : W3x16d
 Packaging Qty : 10
 Product Barcode : 8682005501236
 Shipping Qty : 200
 Shipping Barcode : 8682005507894

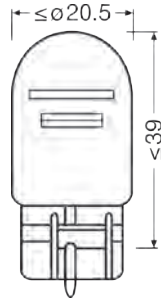
26427



Product Description : Glass Wedge Base
 Ece : T20
 Volt : 12 Volt
 Watt : 21 Watt
 Base : WX3x16d
 Packaging Qty : 10
 Product Barcode : 8682005501243
 Shipping Qty : 50
 Shipping Barcode : 8682005507900

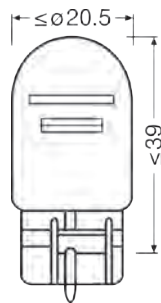
Wedge Base Bulbs Series

26430



Product Description : Glass Wedge Base
 Ece : T20
 Volt : 12 Volt
 Watt : 21/5 Watt
 Base : W3x16q
 Packaging Qty : 10
 Product Barcode : 8682005501250
 Shipping Qty : 200
 Shipping Barcode : 8682005507917

26437



Product Description : Glass Wedge Base
 Ece : T20
 Volt : 12 Volt
 Watt : 21/5 Watt
 Base : W3x16q
 Packaging Qty : 10
 Product Barcode : 8682005502851
 Shipping Qty : 200
 Shipping Barcode : 8682005509515

Automobile Lighting Solutions



Festoon Bulbs Series

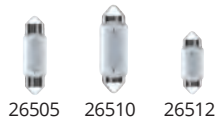
WOLFRAM
PREMIUM QUALITY



Comfortable and Functional Lighting Wolfram's 12V interior lighting series offers a comfortable and functional lighting experience in the interior of your vehicle. The bulbs in this series offer solutions for different needs, from reading lamps to ceiling lighting.

Made of high-quality materials, they are long-lasting and durable. Whether you are reading a book during the journey or looking for your belongings at night, the Wolfram interior lighting series has an E certificate in accordance with European standards and you always have sufficient and pleasant light with its safety. Thanks to its easy installation, it can be quickly integrated into your vehicle and increases your driving pleasure.

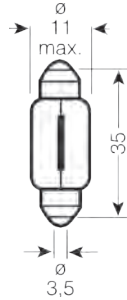
Available in



26505 26510 26512

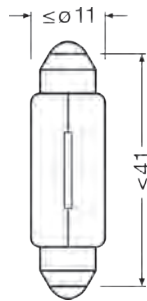
Festoon Bulbs Series

26505



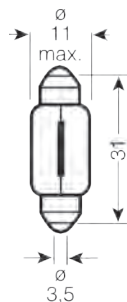
Product Description : Festoon 36 mm
 Ece : CW5
 Volt : 12 Volt
 Watt : 5 Watt
 Base : SV8.5-8
 Packaging Qty : 10
 Product Barcode : 8682005501267
 Shipping Qty : 200
 Shipping Barcode : 8682005507924

26510



Product Description : Festoon 41 mm
 Ece : CW10
 Volt : 12 Volt
 Watt : 10 Watt
 Base : SV8.5-8
 Packaging Qty : 10
 Product Barcode : 8682005501274
 Shipping Qty : 200
 Shipping Barcode : 8682005507931

26512



Product Description : Festoon 31 mm
 Ece : CW10
 Volt : 12 Volt
 Watt : 10 Watt
 Base : SV8.5-8
 Packaging Qty : 10
 Product Barcode : 8682005501281
 Shipping Qty : 200
 Shipping Barcode : 8682005507948

Automobile Lighting Solutions



Socket Indicator Bulbs Series

WOLFRAM
PREMIUM QUALITY



Clear and Reliable Indicator Lighting Wolfram's 12V socket indicator bulb series allows you to see information on your vehicle's instrument panel clearly and reliably. These bulbs are designed to easily read speedometer, fuel level, temperature and other important information.

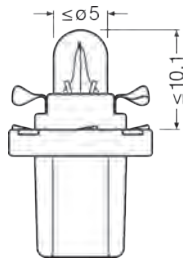
Made of high-quality materials, they are long-lasting and durable. They are resistant to vibration and temperature changes, which provides reliable performance. The Wolfram brand has an E certificate in accordance with European standards and is safe. Thanks to its easy installation, it can be quickly integrated into your vehicle and increases your driving safety.

Available in



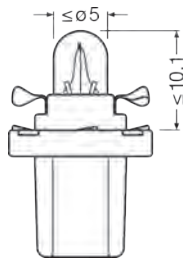
Socket Indicator Bulbs Series

30100



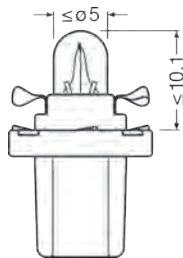
Product Description : Plastic Base
 Ece : Black
 Volt : 12 Volt
 Watt : 1.2 Watt
 Base : B8.5d
 Packaging Qty : 10
 Product Barcode : 8682005506293
 Shipping Qty : 50
 Shipping Barcode : 8682005506316

30102



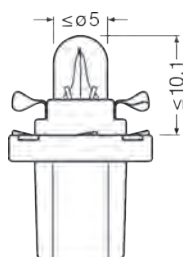
Product Description : Plastic Base
 Ece : Green
 Volt : 12 Volt
 Watt : 1.2 Watt
 Base : B8.5d
 Packaging Qty : 10
 Product Barcode : 8682005506323
 Shipping Qty : 50
 Shipping Barcode : 8682005506347

30103



Product Description : Plastic Base
 Ece : Blue
 Volt : 12 Volt
 Watt : 1.2 Watt
 Base : B8.5d
 Packaging Qty : 10
 Product Barcode : 8682005506354
 Shipping Qty : 50
 Shipping Barcode : 8682005506378

30104

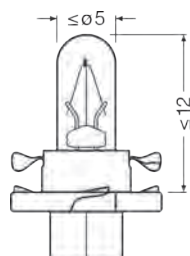


Product Description : Plastic Base
 Ece : Light Green
 Volt : 12 Volt
 Watt : 1.2 Watt
 Base : B8.5d
 Packaging Qty : 10
 Product Barcode : 8682005506385
 Shipping Qty : 50
 Shipping Barcode : 8682005506408

Automobile Lighting Solutions

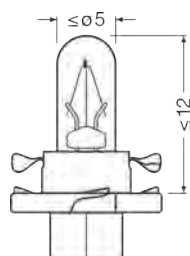
Socket Indicator Bulbs Series

30105



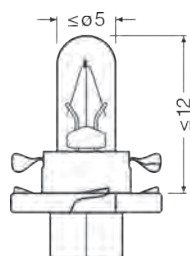
Product Description : Plastic Base
Ece : Black
Volt : 12 Volt
Watt : 1.2 Watt
Base : B8.4d
Packaging Qty : 10
Product Barcode : 8682005506446
Shipping Qty : 50
Shipping Barcode : 8682005506477

30106



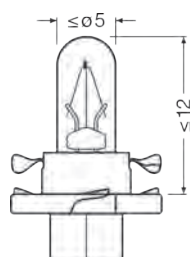
Product Description : Plastic Base
Ece : Green
Volt : 12 Volt
Watt : 1.2 Watt
Base : B8.4d
Packaging Qty : 10
Product Barcode : 8682005506484
Shipping Qty : 50
Shipping Barcode : 8682005506507

30107



Product Description : Plastic Base
Ece : Beige
Volt : 12 Volt
Watt : 1.2 Watt
Base : B8.4d
Packaging Qty : 10
Product Barcode : 8682005506545
Shipping Qty : 50
Shipping Barcode : 8682005506569

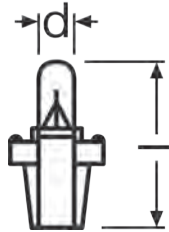
30108



Product Description : Plastic Base
Ece : Orange
Volt : 12 Volt
Watt : 1.2 Watt
Base : B8.4d
Packaging Qty : 10
Product Barcode : 8682005509737
Shipping Qty : 50
Shipping Barcode : 8682005509751

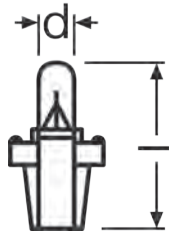
Socket Indicator Bulbs Series

30110



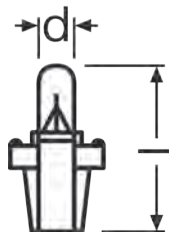
Product Description : T3
 Ece : Black
 Volt : 12 Volt
 Watt : 0.84 Watt
 Base :
 Packaging Qty : 10
 Product Barcode : 8682005506576
 Shipping Qty : 50
 Shipping Barcode : 8682005506590

30111



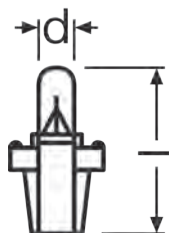
Product Description : T4
 Ece : Black
 Volt : 12 Volt
 Watt : 1.2 Watt
 Base :
 Packaging Qty : 10
 Product Barcode : 8682005506606
 Shipping Qty : 50
 Shipping Barcode : 8682005506620

30112



Product Description : T5
 Ece : Black
 Volt : 12 Volt
 Watt : 1.2 Watt
 Base :
 Packaging Qty : 10
 Product Barcode : 8682005506637
 Shipping Qty : 50
 Shipping Barcode : 8682005506651

30113

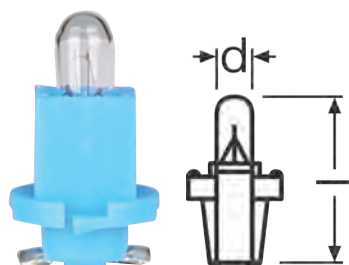


Product Description : Plastic Base
 Ece : Black
 Volt : 12 Volt
 Watt : 1.2 Watt
 Base : B8.3d
 Packaging Qty : 10
 Product Barcode : 8682005506668
 Shipping Qty : 50
 Shipping Barcode : 8682005504473

Automobile Lighting Solutions

Socket Indicator Bulbs Series

30114



Product Description : Plastic Base
Ece : Blue
Volt : 12 Volt
Watt : 1.2 Watt
Base : EBS-R4
Packaging Qty : 10
Product Barcode : 8682005504480
Shipping Qty : 50
Shipping Barcode : 8682005508631

30193



Product Description : Mini Bulbs Set
Packaging Qty : 10 pcs x 13 mini bulbs
Total : 130 pcs
Product Barcode : 8682005508761

Heavy Vehicle Lighting Solutions

Professional Solutions, Reliable Performance Wolfram's 24V product series is specifically designed to meet all electrical and lighting needs of commercial vehicles, trucks, buses, construction equipment and other heavy-duty vehicles. Manufactured with high-quality materials and engineering, these products offer superior performance and long-lasting use even under difficult conditions. Our series offers a wide range of solutions from headlights to signal lamps, interior lighting to special-purpose lamps. Each product is designed to fit perfectly into 24V systems and stands out with its easy installation and reliable operation.

Why Wolfram 24V Product Series?

Wide Range of Products: Solutions from a single source for all your lighting and electrical needs.

High Quality: Durable, long-lasting and reliable products resistant to harsh weather conditions such as snow, rain and fog.

Optimum Performance: Special design for 24V systems, maximum efficiency and brightness.

Easy Installation: User-friendly design for fast and trouble-free installation.

Reliable Brand: Professional solutions with Wolfram quality and assurance.

Increase the performance and safety of your vehicles with the Wolfram 24V product series. Discover the most suitable solutions for your needs and experience and make others experience the Wolfram difference with your Vehicles!

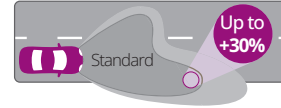


Heavy Vehicle Lighting Solutions

Halogen Headlight Bulbs Series



Beam Performance



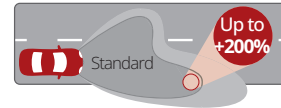
Light Color



Truck Vision 150 Series



Beam Performance



Light Color



Stop Signal Bulbs Series



Wedge Base Bulbs Series



Festoon Bulbs Series



Socket Indicator Bulbs Series



Heavy Vehicle Lighting Solutions



Halogen Headlight Bulbs Series

WOLFRAM
PREMIUM QUALITY



Wolfram's 24-volt halogen bulb series offers an excellent lighting solution for commercial vehicles and heavy machinery. Manufactured with high-quality materials, these bulbs deliver superior performance even in harsh weather conditions, ensuring a safe driving experience.

Why Choose Wolfram Halogen 24V Series?

High Quality: The long-lasting and durable design ensures extended usage.

Safe Driving: Powerful illumination allows you to see the road clearly, enhancing your driving safety.

Easy Installation: The user-friendly design provides a quick and hassle-free installation process.

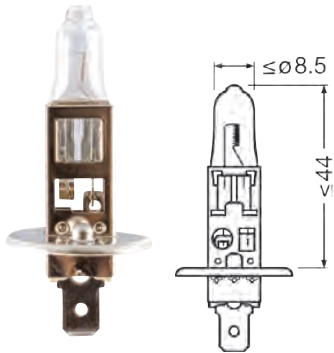
Economic Solution: Affordable options give vehicle owners financial advantages. Experience a safe and comfortable driving journey with Wolfram 24-volt halogen bulbs!

Available in



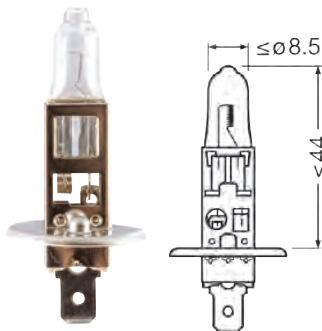
Halogen Headlight Bulbs Series

34121



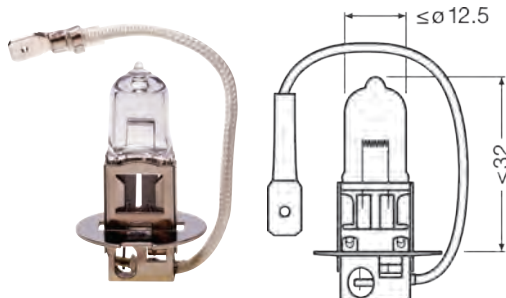
Product Description : Standard Light
 Ece : H1
 Volt : 24 Volt
 Watt : 70 Watt
 Base : P14.5s
 Packaging Qty : 1
 Product Barcode : 8682005501748
 Bundle Qty : 10
 Bundle Barcode : 8682005505074
 Shipping Qty : 100
 Shipping Barcode : 8682005508402

34122



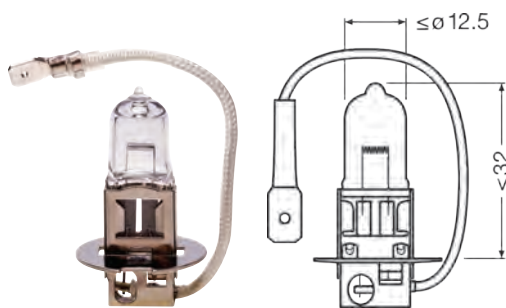
Product Description : Standard Light
 Ece : H1
 Volt : 24 Volt
 Watt : 100 Watt
 Base : P14.5s
 Packaging Qty : 1
 Product Barcode : 8682005501755
 Bundle Qty : 10
 Bundle Barcode : 8682005505081
 Shipping Qty : 100
 Shipping Barcode : 8682005508419

34123



Product Description : Standard Light
 Ece : H3
 Volt : 24 Volt
 Watt : 70 Watt
 Base : PK22s
 Packaging Qty : 1
 Product Barcode : 8682005501762
 Bundle Qty : 10
 Bundle Barcode : 8682005505098
 Shipping Qty : 100
 Shipping Barcode : 8682005508426

34124

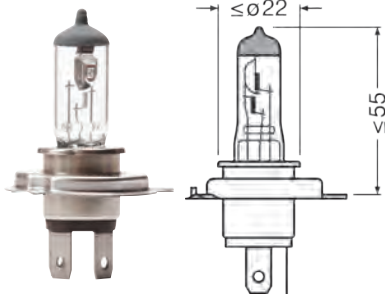


Product Description : Standard Light
 Ece : H3
 Volt : 24 Volt
 Watt : 100 Watt
 Base : PK22s
 Packaging Qty : 1
 Product Barcode : 8682005501779
 Bundle Qty : 10
 Bundle Barcode : 8682005505104
 Shipping Qty : 100
 Shipping Barcode : 8682005508433

Heavy Vehicle Lighting Solutions

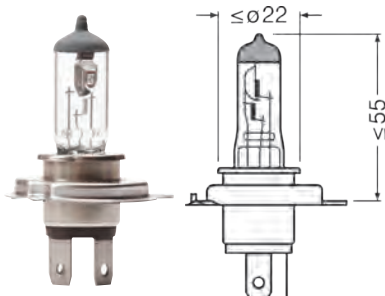
Halogen Headlight Bulbs Series

34204



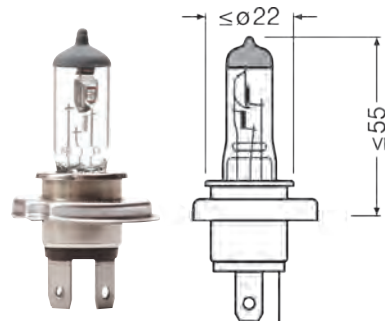
Product Description : Standard Light
 Ece : H4
 Volt : 24 Volt
 Watt : 75/70 Watt
 Base : P43t
 Packaging Qty : 1
 Product Barcode : 8682005501786
 Bundle Qty : 10
 Bundle Barcode : 8682005505111
 Shipping Qty : 100
 Shipping Barcode : 8682005508440

34206



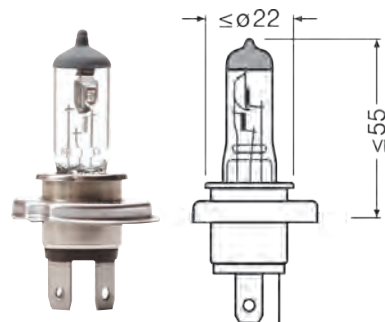
Product Description : Standard Light
 Ece : H4
 Volt : 24 Volt
 Watt : 100/90 Watt
 Base : P43t
 Packaging Qty : 1
 Product Barcode : 8682005501793
 Bundle Qty : 10
 Bundle Barcode : 8682005505128
 Shipping Qty : 100
 Shipping Barcode : 8682005508457

34208



Product Description : Standard Light
 Ece : H4
 Volt : 24 Volt
 Watt : 75/70 Watt
 Base : P45t
 Packaging Qty : 1
 Product Barcode : 8682005501809
 Bundle Qty : 10
 Bundle Barcode : 8682005505135
 Shipping Qty : 100
 Shipping Barcode : 8682005508464

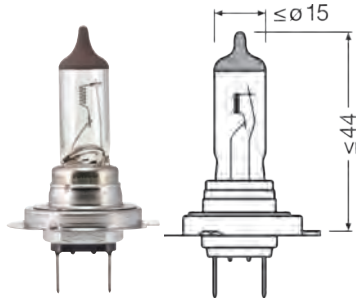
34210



Product Description : Standard Light
 Ece : H4
 Volt : 24 Volt
 Watt : 100/90 Watt
 Base : P45t
 Packaging Qty : 1
 Product Barcode : 8682005501816
 Bundle Qty : 10
 Bundle Barcode : 8682005505142
 Shipping Qty : 100
 Shipping Barcode : 8682005508471

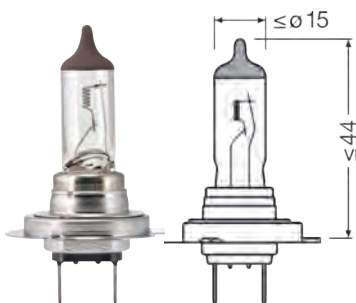
Halogen Headlight Bulbs Series

34217



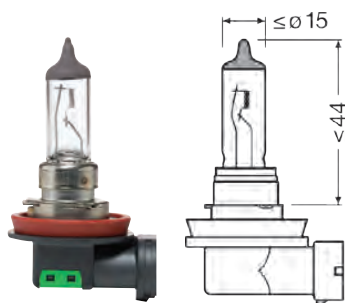
Product Description : Standard Light
 Ece : H7
 Volt : 24 Volt
 Watt : 70 Watt
 Base : PX26d
 Packaging Qty : 1
 Product Barcode : 8682005501823
 Bundle Qty : 10
 Bundle Barcode : 8682005505159
 Shipping Qty : 100
 Shipping Barcode : 8682005508488

34237



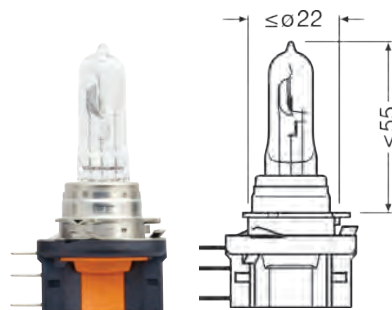
Product Description : Standard Light
 Ece : H7
 Volt : 24 Volt
 Watt : 100W
 Base : PX26D
 Packaging Qty : 1
 Product Barcode : 8682005502868
 Bundle Qty : 10
 Bundle Barcode : 8682005506194
 Shipping Qty : 100
 Shipping Barcode : 8682005509522

34311



Product Description : Standard Light
 Ece : H11
 Volt : 24 Volt
 Watt : 70 Watt
 Base : PGJ19-2
 Packaging Qty : 1
 Product Barcode : 8682005501830
 Bundle Qty : 10
 Bundle Barcode : 8682005505166
 Shipping Qty : 100
 Shipping Barcode : 8682005508495

34315



Product Description : Standard Light
 Ece : H15
 Volt : 24 Volt
 Watt : 20/60 Watt
 Base : PGJ23t-1
 Packaging Qty : 1
 Product Barcode : 8682005501847
 Bundle Qty : 10
 Bundle Barcode : 8682005505173
 Shipping Qty : 100
 Shipping Barcode : 8682005508501

Heavy Vehicle Lighting Solutions



Truck Vision 150 Series

WOLFRAM
PREMIUM QUALITY



The Wolfram Truck Vision 24V series consists of high-performance bulbs designed for commercial vehicles, trucks, and buses. These bulbs enhance road safety by providing superior visibility at night and in adverse weather conditions. They emit more light than standard bulbs, allowing for clearer visibility of road signs and obstacles.

Why Choose Wolfram Truck Vision 24V Series?

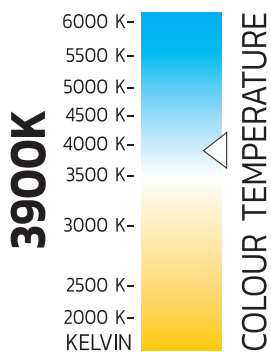
High Performance: Advanced filament technology offers improved forward visibility.

Increased Safety: Better visibility at night and in challenging conditions.

Long Life: Reduces the need for frequent bulb replacements.

Easy Installation: Installs easily like standard bulbs.

Enhance your driving experience and safety with the Wolfram Truck Vision 24V series!



	BRIGHTNESS	DISTANCE	LIFETIME
STANDARD	○○○○○○○○○○○○	○○○○○○○○○○○○	○○○○○○○○○○○○
TRUCK VISION 150	●●●●●●●●●●	●●●●●●●●●●	●●●●●●●●●●

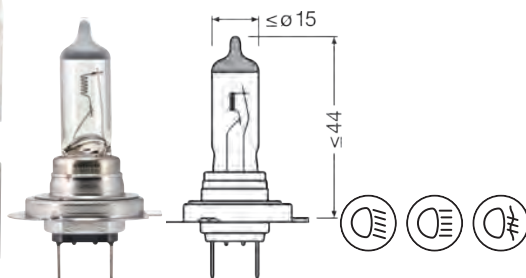
Available in



34217 TV

Truck Vision 150 Series

34217 TV



Product Description : Truck Vision
Ece : H7
Volt : 24 Volt
Watt : 70 Watt
Base : PX26d
Packaging Qty : 2
Product Barcode : 8682005502790
Shipping Qty : 5 Sets
Shipping Barcode : 8682005509454

Heavy Vehicle Lighting Solutions



Stop Signal Bulbs Series

WOLFRAM
PREMIUM QUALITY



Reliable and Bright Signals, Maximum Safety Wolfram's 24V stop and signal series is designed to increase the safety of commercial vehicles, trucks, buses and other heavy-duty vehicles. These bulbs stand out with their fast response time and high brightness level, allowing other drivers to immediately notice your vehicle's intention to stop or turn. Our range offers a variety of stop signal bulb models for different vehicle types and applications. Each Wolfram brand bulb is manufactured from durable materials and offers high resistance to harsh road conditions and vibrations.

Why Wolfram 24V Stop Signal Series?

High Brightness: Provides maximum visibility with bright and clear signals.

Fast Response Time: Instantly reacts and allows other drivers to notice it quickly.

Durable Design: Highly resistant to harsh weather conditions, difficult road conditions and vibrations.

Wide Application Area: Offers various models for different vehicle types and applications.

Reliable Performance: Provides long-lasting and stable working performance.

Maximize the safety of your vehicles with the Wolfram 24V stop signal series. Stay safe on the road with reliable and bright signals!

Available in



34753 34767 34770 34793 34797 34816 34918 34358

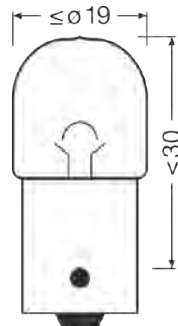
Stop Signal Bulbs Series

34753



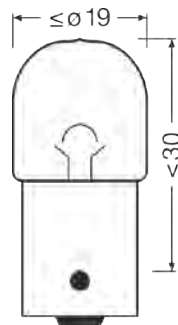
Product Description : Metal Base
 Ece : T4W
 Volt : 24 Volt
 Watt : 4 Watt
 Base : BA9s
 Packaging Qty : 10
 Product Barcode : 8682005501915
 Shipping Qty : 200
 Shipping Barcode : 8682005508570

34767



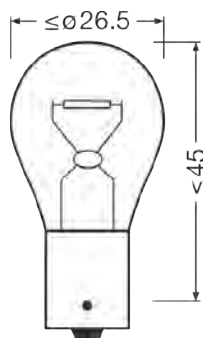
Product Description : Metal Base
 Ece : R5W
 Volt : 24 Volt
 Watt : 5 Watt
 Base : BA15s
 Packaging Qty : 10
 Product Barcode : 8682005501922
 Shipping Qty : 200
 Shipping Barcode : 8682005508587

34770



Product Description : Metal Base
 Ece : R10W
 Volt : 24 Volt
 Watt : 10 Watt
 Base : BA15s
 Packaging Qty : 10
 Product Barcode : 8682005501939
 Shipping Qty : 200
 Shipping Barcode : 8682005508594

34793



Product Description : Metal Base
 Ece : P21W
 Volt : 24 Volt
 Watt : 21 Watt
 Base : BA15s
 Packaging Qty : 10
 Product Barcode : 8682005501946
 Shipping Qty : 200
 Shipping Barcode : 8682005508600

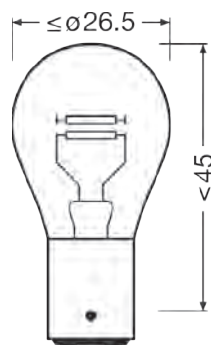
Heavy Vehicle Lighting Solutions

Stop Signal Bulbs Series



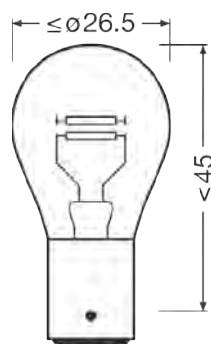
34797

Product Description : Metal Base
 Ece : PY21W
 Volt : 24 Volt
 Watt : 21 Watt
 Base : BAU15s
 Packaging Qty : 10
 Product Barcode : 8682005501953
 Shipping Qty : 200
 Shipping Barcode : 8682005508617



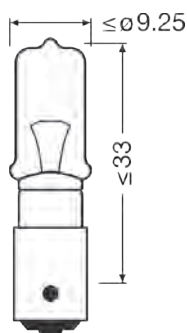
34816

Product Description : Metal Base
 Ece : P21/5W
 Volt : 24 Volt
 Watt : 21/5 Watt
 Base : BAY15d
 Packaging Qty : 10
 Product Barcode : 8682005501960
 Shipping Qty : 200
 Shipping Barcode : 8682005508624



34918

Product Description : Metal Base
 Ece : P21/4W
 Volt : 24 Volt
 Watt : 21/4 Watt
 Base : BAZ15d
 Packaging Qty : 10
 Product Barcode : 8682005502721
 Shipping Qty : 200
 Shipping Barcode : 8682005209386



34358

Product Description : Miniature Halogen
 Ece : H21
 Volt : 24 Volt
 Watt : 21 Watt
 Base : BAY9s
 Packaging Qty : 1
 Product Barcode : 8682005502486
 Bundle Qty : 10
 Bundle Barcode : 8682005505814
 Shipping Qty : 50
 Shipping Barcode : 8682005509140



Wedge Base Bulbs Series

WOLFRAM
PREMIUM QUALITY



Compact, Reliable and Versatile Lighting Solutions Wolfram's 24V bottomless bulb series offers compact and reliable lighting solutions ideal for commercial vehicles, trucks, buses and other heavy-duty vehicles. Their bottomless design makes them easy to install and suitable for a variety of interior and exterior lighting applications. These bulbs can be used in a wide range of applications from instrument panel lighting to interior lighting, from signal lamps to parking lamps. Manufactured from high-quality materials, they offer long-lasting and stable performance.

Why Wolfram 24V Bottomless Bulb Series?

Compact Design: Bottomless design provides easy installation and space saving.
Versatile Application: Offers a wide range of uses for interior and exterior lighting applications.

High Reliability: Provides long-lasting and stable performance.

Wide Compatibility: Compatible with various vehicle models and systems.

Energy Efficiency: Provides high light output with low energy consumption.

Meet the lighting needs of your vehicles with the Wolfram 24V bottomless bulb series. Make a difference with compact, reliable and versatile lighting solutions!

Available in



34441



34413

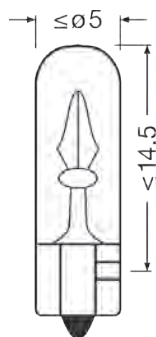


34415

Heavy Vehicle Lighting Solutions

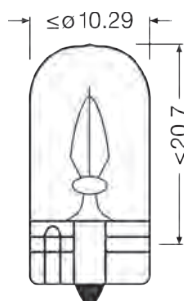
Wedge Base Bulbs Series

34411



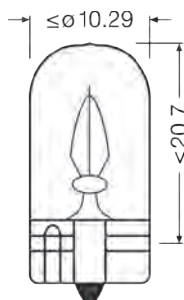
Product Description : Glass Wedge Base
Ece : T5
Volt : 24 Volt
Watt : 1,2 Watt
Base : W2x4.6d
Packaging Qty : 10
Product Barcode : 8682005501854
Shipping Qty : 200
Shipping Barcode : 8682005508518

34413



Product Description : Glass Wedge Base
Ece : T10
Volt : 24 Volt
Watt : 3 Watt
Base : W2.1x9.5d
Packaging Qty : 10
Product Barcode : 8682005501861
Shipping Qty : 200
Shipping Barcode : 8682005508525

34415



Product Description : Glass Wedge Base
Ece : T10
Volt : 24 Volt
Watt : 5 Watt
Base : W2.1x9.5d
Packaging Qty : 10
Product Barcode : 8682005501878
Shipping Qty : 200
Shipping Barcode : 8682005508532



Festoon Bulbs Series

WOLFRAM
PREMIUM QUALITY



Bright, Clear and Reliable Lighting Solutions Wolfram's 24V halogen interior lighting series offers bright, clear and reliable lighting solutions designed for the interiors of commercial vehicles, trucks, buses and other heavy-duty vehicles. The products in this series provide excellent visibility for the driver and passengers, while offering durability and long-lasting use. Our series is designed to meet a variety of needs, from ceiling lamps to reading lamps, from dashboard lighting to general interior lighting. Thanks to halogen technology, it emits a natural and vibrant light, making the interior brighter and more comfortable.

Why Wolfram 24V Halogen Interior Lighting Series?

Bright and Clear Light: Improves visibility by providing natural and vibrant lighting.

Reliable Performance: Provides long-lasting and stable operation.

Various Applications: Suitable for ceiling, reading, dashboard and general interior lighting.

Durable Design: Highly resistant to vibrations and harsh conditions.

Easy Installation: Provides simple and quick installation.

Illuminate the interiors of your vehicles with the Wolfram 24V halogen interior lighting series. Enhance your driving experience with bright, clear and reliable lighting solutions!

Available in

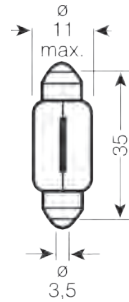


34615 34617

Heavy Vehicle Lighting Solutions

Festoon Bulbs Series

34615



Product Description : Festoon 36 mm
Ece : C5W
Volt : 24 Volt
Watt : 5 Watt
Base : SV8.5-8
Packaging Qty : 10
Product Barcode : 8682005501892
Shipping Qty : 200
Shipping Barcode : 8682005508556

34617



Product Description : Festoon 41 mm
Ece : CW10
Volt : 24 Volt
Watt : 10 Watt
Base : SV8.5-8
Packaging Qty : 10
Product Barcode : 8682005501908
Shipping Qty : 200
Shipping Barcode : 8682005508563



Socket Indicator Bulbs Series

WOLFRAM
PREMIUM QUALITY



Reliable and Clear Indicator Lighting Wolfram's 24V indicator bulb series is specially designed for the instrument panels of commercial vehicles, trucks, buses and other heavy-duty vehicles. These bulbs increase driving safety by allowing drivers to see vehicle information clearly and accurately. The bulbs in our series are made of high-quality materials and have a long service life. By offering high light output with low energy consumption, they both save energy and ensure that the instrument panel is always clearly visible. They are compatible with various vehicle models with different color and size options.

Why Wolfram 24V Indicator Bulb Series?

Clear and Bright Lighting: Provides a clear view of the instrument panel.

Long-Lasting: Long-lasting thanks to high-quality materials.

Low Energy Consumption: Saves energy.

Wide Compatibility: Compatible with different vehicle models and instrument panels.

Reliable Performance: Works stably even in difficult conditions.

Reliably and clearly illuminate your vehicle's instrument panels with the Wolfram 24V indicator bulb series. Increase your driving safety and always have accurate information!

Available in

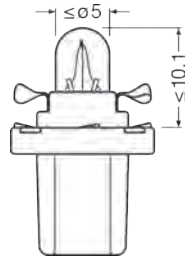


34441

Heavy Vehicle Lighting Solutions

Socket Indicator Bulbs Series

34441



Product Description : Plastic Base

Ece : Gray

Volt : 24 Volt

Watt : 1,2W

Base : B8.5d

Packaging Qty : 10

Product Barcode : 8682005506415

Shipping Qty : 200

Shipping Barcode : 8682005506439

XenonLightingSolutions

High Intensity Lighting for 12V and 24V Vehicles XENON series are high-intensity discharge (HID) bulbs designed for both 12-volt and 24-volt vehicles. These bulbs produce significantly more light and provide a wider illumination area than halogen bulbs. XENON bulbs increase your safety by providing superior visibility at night and driving. Thanks to the high color temperature, XENON series bulbs illuminate the road in a color close to daylight. This allows the driver to see the road and the surroundings more clearly, helping to detect obstacles and hazards earlier. In addition, XENON bulbs produce more light while consuming less energy, which increases the energy efficiency of your vehicle.

Why XENON Series?

High Intensity Lighting: Produces much more light than halogen bulbs.

Wide Illumination Area: Illuminates the road and surroundings in a wider area.

Increased Safety: Provides superior visibility during night driving.

Energy Efficiency: Produces more light while consuming less energy.

Long Life: Has a longer life than halogen bulbs.

12V and 24V Compatibility: Suitable for both passenger cars and commercial vehicles.

Make your driving safer and more comfortable with XENON series bulbs. With its high performance, energy efficiency and long life features, XENON is your reliable partner in vehicle lighting solutions. Note: Installation of XENON bulbs may require expertise. Please contact an authorized service. Wolfram XENON bulbs have an E certificate in accordance with European standards.



Xenon Lighting Solutions

Xenon 4300K Bulbs Series



Xenon 4300K Long Life Bulbs Series



Xenon 4300K Ultraviolet Bulb Series



Xenon 4300K Ultraviolet Bulb DPC Series



Xenon 6000K Bulbs Series



Xenon 6000K Ultraviolet Bulbs Series



Xenon 6000K Ultraviolet Bulbs DPC Series



Xenon 8000K Bulbs Series



Xenon Lighting Solutions



Xenon 4300K Bulbs Series

WOLFRAM
PREMIUM QUALITY



Superior Visibility with Natural Daylight Light Color The 4300 Kelvin XENON series provides excellent visibility during night driving with natural daylight tone.

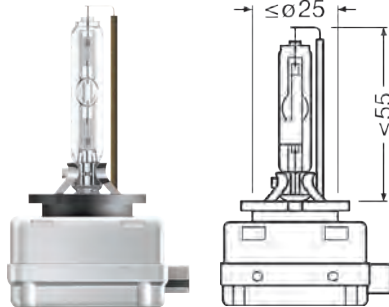
These bulbs provide brighter and wider illumination compared to halogens, while increasing your driving comfort with their natural color temperature that does not tire the eyes. Suitable for both 12V and 24V vehicles, 4300K XENON bulbs are ideal for a safe and enjoyable driving experience. Wolfram XENON bulbs have an E certificate in accordance with European standards.

Available in



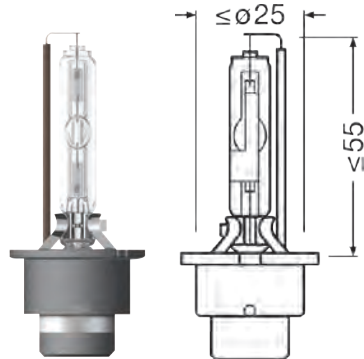
Xenon 4300K Bulbs Series

28311



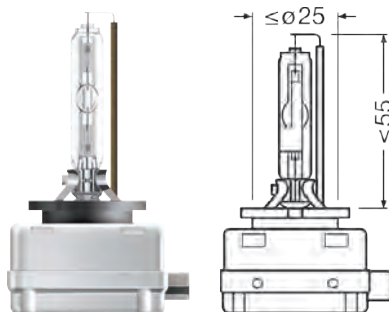
Product Description : Xenon Standard Light
 Ece : D1S
 Watt : 35 Watt
 Base : PK32d-2
 Packaging Qty : 1
 Product Barcode : 8682005501373
 Shipping Qty : 12
 Shipping Barcode : 8682005508037

28312



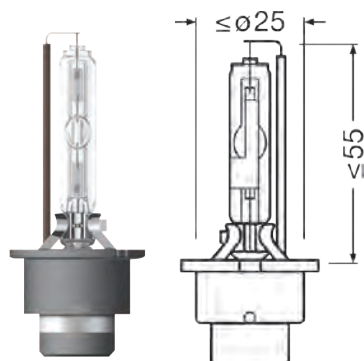
Product Description : Xenon Standard Light
 Ece : D2S
 Watt : 35 Watt
 Base : P32d-2
 Packaging Qty : 1
 Product Barcode : 8682005501380
 Shipping Qty : 12
 Shipping Barcode : 8682005508044

28313



Product Description : Xenon Standard Light
 Ece : D3S
 Watt : 35 Watt
 Base : PK32d-5
 Packaging Qty : 1
 Product Barcode : 8682005501397
 Shipping Qty : 12
 Shipping Barcode : 8682005508051

28314

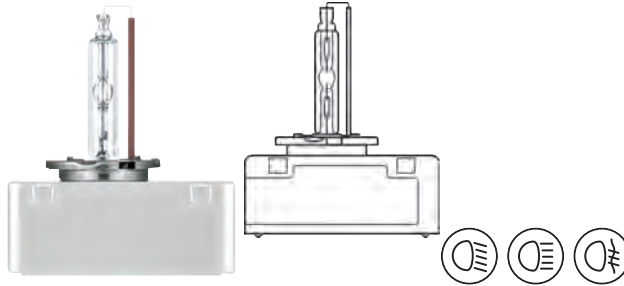


Product Description : Xenon Standard Light
 Ece : D4S
 Watt : 35 Watt
 Base : P32d-5
 Packaging Qty : 1
 Product Barcode : 8682005501403
 Shipping Qty : 12
 Shipping Barcode : 8682005508068

Xenon Lighting Solutions

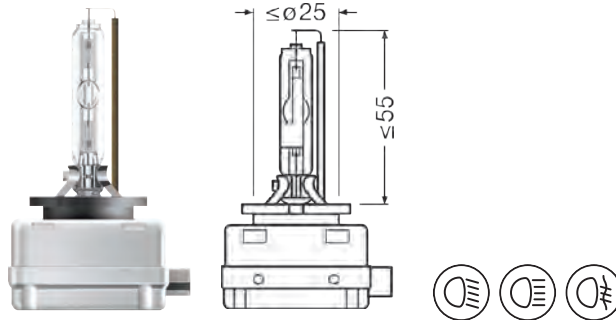
Xenon 4300K Bulbs Series

28315



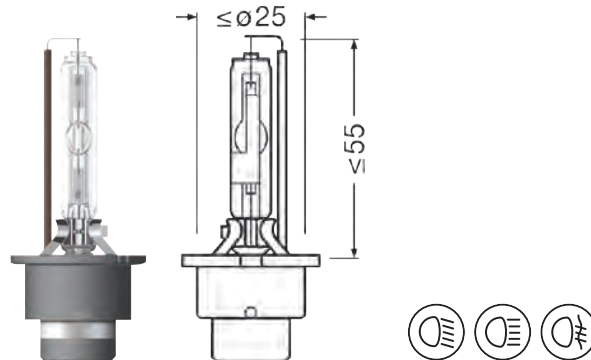
Product Description : Xenon Standard Light
 Ece : D5S
 Watt : 25 Watt
 Base : PK32d-7
 Packaging Qty : 1
 Product Barcode : 8682005501410
 Shipping Qty : 12
 Shipping Barcode : 8682005508075

28318



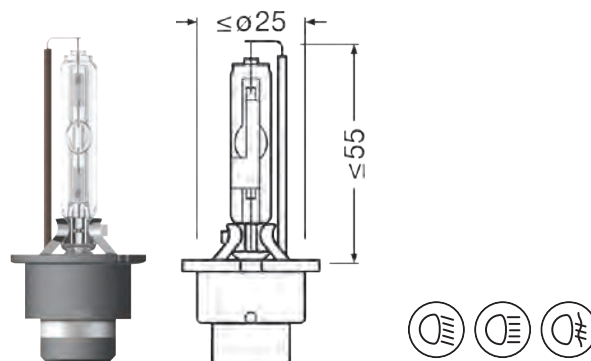
Product Description : Xenon Standard Light
 Ece : D8S
 Watt : 25 Watt
 Base : PK32d-1
 Packaging Qty : 1
 Product Barcode : 8682005501427
 Shipping Qty : 12
 Shipping Barcode : 8682005508082

28321



Product Description : Xenon Standard Light
 Ece : D1R
 Watt : 35 Watt
 Base : PK32d-3
 Packaging Qty : 1
 Product Barcode : 8682005502936
 Shipping Qty : 12
 Shipping Barcode : 8682005509591

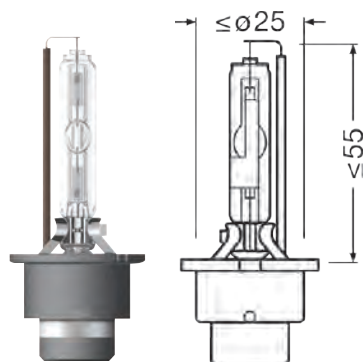
28322



Product Description : Xenon Standard Light
 Ece : D2R
 Watt : 35 Watt
 Base : P32d-3
 Packaging Qty : 1
 Product Barcode : 8682005502745
 Shipping Qty : 10
 Shipping Barcode : 8682005509409

Xenon 4300K Bulbs Series

28324



Product Description : Xenon Standard Light
Ece : D4R
Watt : 35 Watt
Base : P32d-6
Packaging Qty : 1
Product Barcode : 8682005502769
Shipping Qty : 12
Shipping Barcode : 8682005509423

Xenon Lighting Solutions



Xenon 4300K Long Life Bulbs Series

WOLFRAM
PREMIUM QUALITY



Reliable and Permanent Lighting The 4300 Kelvin long-life XENON series combines natural daylight color and superior durability.

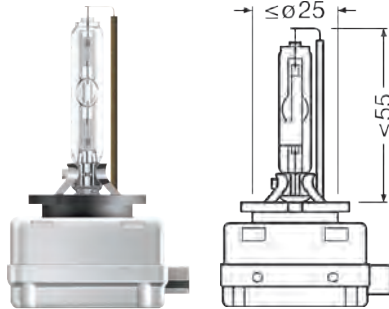
These bulbs offer brighter and wider illumination than halogens, while their long-life structure puts an end to the hassle of frequent bulb replacement. Suitable for both 12V and 24V vehicles, this series is ideal for those looking for a reliable and permanent lighting solution. Wolfram XENON bulbs have an E certificate in accordance with European standards and are 2 times more durable than standard XENON bulbs.

Available in



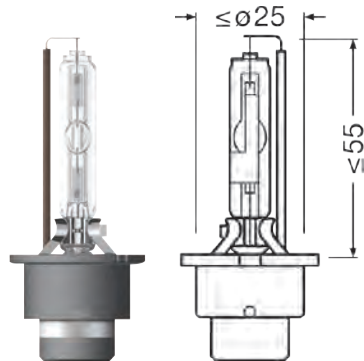
Xenon 4300K Long Life Bulbs Series

28531



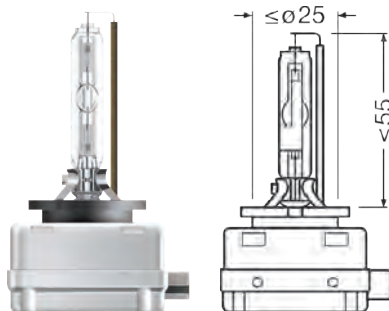
Product Description : Xenon Standard Light Long Life
 Ece : D1S
 Watt : 35 Watt
 Base : PK32d-2
 Packaging Qty : 1
 Product Barcode : 8682005501472
 Shipping Qty : 12
 Shipping Barcode : 8682005508136

28532



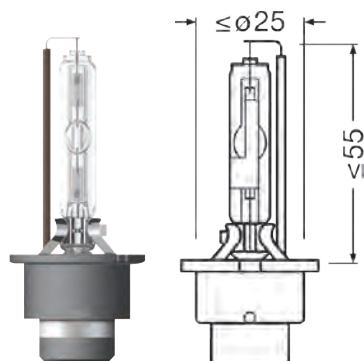
Product Description : Xenon Standard Light Long Life
 Ece : D2S
 Watt : 35 Watt
 Base : P32d-2
 Packaging Qty : 1
 Product Barcode : 8682005501489
 Shipping Qty : 12
 Shipping Barcode : 8682005508143

28533



Product Description : Xenon Standard Light Long Life
 Ece : D3S
 Watt : 35 Watt
 Base : PK32d-5
 Packaging Qty : 1
 Product Barcode : 8682005501496
 Shipping Qty : 12
 Shipping Barcode : 8682005508150

28534



Product Description : Xenon Standard Light Long Life
 Ece : D4S
 Watt : 35 Watt
 Base : P32d-5
 Packaging Qty : 1
 Product Barcode : 8682005501502
 Shipping Qty : 12
 Shipping Barcode : 8682005508167

Xenon Lighting Solutions



Xenon 4300K Ultraviolet Bulbs Series

WOLFRAM
PREMIUM QUALITY



Different and Impressive Lighting 4300 Kelvin ultra violet daylight color XENON series offers an extraordinary and striking lighting experience.

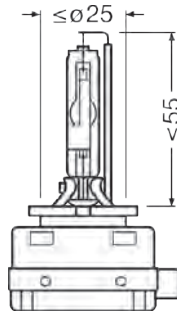
These bulbs give your vehicle a different look by emitting ultra violet light in addition to natural white light. The life of the products is extended with metal socket cooling. This series, which brings together high-performance lighting and impressive appearance, is ideal for drivers who want to make a difference. Wolfram XENON bulbs have E certificate in accordance with European standards.

Available in



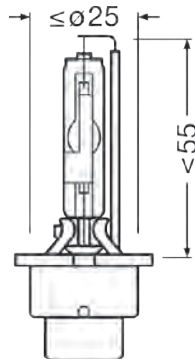
Xenon 4300K Ultraviolet Bulbs Series

28641



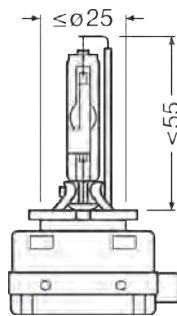
Product Description : Xenon Standard Ultra Violet
 Ece : D1S
 Watt : 35 Watt
 Base : PK32d-2
 Packaging Qty : 1
 Product Barcode : 8682005501519
 Shipping Qty : 12
 Shipping Barcode : 8682005508174

28642



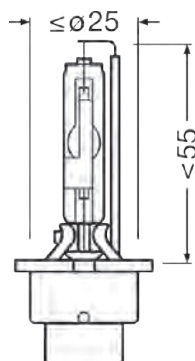
Product Description : Xenon Standard Ultra Violet
 Ece : D2S
 Watt : 35 Watt
 Base : P32d-2
 Packaging Qty : 1
 Product Barcode : 8682005501526
 Shipping Qty : 12
 Shipping Barcode : 8682005508181

28643



Product Description : Xenon Standard Ultra Violet
 Ece : D3S
 Watt : 35 Watt
 Base : PK32d-5
 Packaging Qty : 1
 Product Barcode : 8682005501533
 Shipping Qty : 12
 Shipping Barcode : 8682005508198

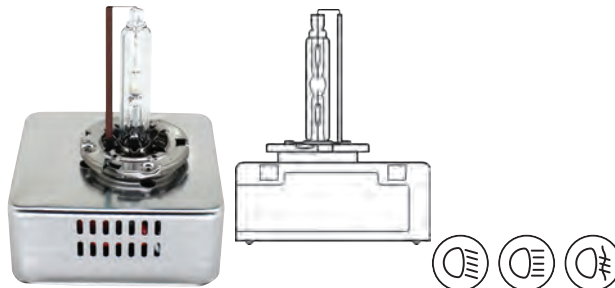
28644



Product Description : Xenon Standard Ultra Violet
 Ece : D4S
 Watt : 35 Watt
 Base : P32d-5
 Packaging Qty : 1
 Product Barcode : 8682005501540
 Shipping Qty : 12
 Shipping Barcode : 8682005508204

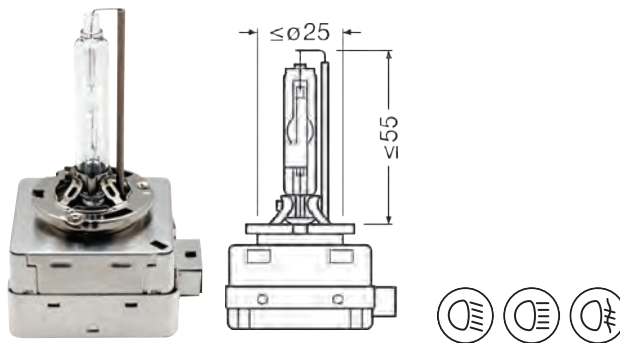
Xenon 4300K Ultraviolet Bulbs Series

28645



Product Description : Xenon Standard Ultra Violet
Ece : D5S
Watt : 25 Watt
Base : PK32d-7
Packaging Qty : 1
Product Barcode : 8682005501557
Shipping Qty : 12
Shipping Barcode : 8682005508211

28648



Product Description : Xenon Standard Ultra Violet
Ece : D8S
Watt : 35 Watt
Base : P32d-2
Packaging Qty : 1
Product Barcode : 8682005501564
Shipping Qty : 12
Shipping Barcode : 8682005508228



Xenon 4300K Ultraviolet Bulbs DPC Series

WOLFRAM
PREMIUM QUALITY



Different and Impressive Lighting 4300 Kelvin ultra violet daylight color XENON series offers an extraordinary and striking lighting experience.

These bulbs give your vehicle a different look by emitting ultra violet light in addition to natural white light. The life of the products is extended with metal socket cooling. This series, which brings together high-performance lighting and impressive appearance, is ideal for drivers who want to make a difference. Wolfram XENON bulbs have E certificate in accordance with European standards.

EXTRA
BRIGHT
LIGHT

BROWN
BAR



Available in



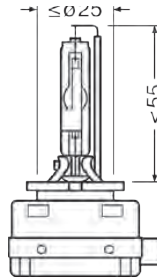
28641 DPC

28642 DPC

28643 DPC

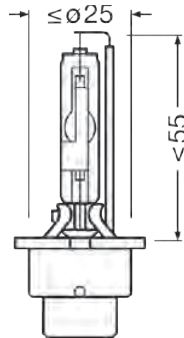
Xenon 4300K Ultraviolet Bulbs DPC Series

28641 DPC



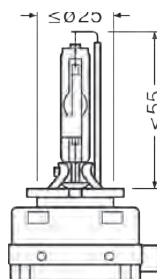
Product Description : Xenon Standard Ultra Violet
 Ece : D1S
 Watt : 35 Watt
 Base : PK32d-2
 Packaging Qty : 2
 Product Barcode : 8682005503216
 Shipping Qty : 5 Sets

28642 DPC



Product Description : Xenon Standard Ultra Violet
 Ece : D2S
 Watt : 35 Watt
 Base : P32d-2
 Packaging Qty : 2
 Product Barcode : 8682005503223
 Shipping Qty : 5 Sets

28643 DPC



Product Description : Xenon Standard Ultra Violet
 Ece : D3S
 Watt : 35 Watt
 Base : PK32d-5
 Packaging Qty : 2
 Product Barcode : 8682005503230
 Shipping Qty : 5 Sets



Xenon 6000K Bulbs Series

WOLFRAM
PREMIUM QUALITY



Modern and Stylish Appearance with Ice White Light The 6000 Kelvin XENON series gives your vehicle a modern and stylish appearance with its ice white light.

Offering brighter and clearer illumination compared to halogen bulbs, these bulbs provide superior visibility during night driving. Suitable for both 12V and 24V vehicles, 6000K XENON bulbs are the perfect choice for stylish drivers.

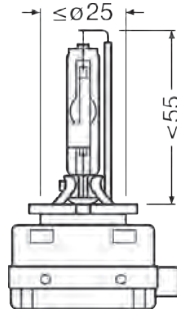
Available in



28421 28422 28423 28424 28425 28428 28431 28432 28434

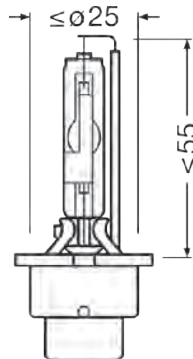
Xenon Lighting Solutions

Xenon 6000K Bulbs Series



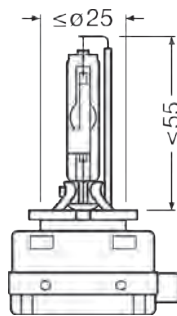
28421

Product Description : Xenon White Light
Ece : D1S
Watt : 35 Watt
Base : PK32d-2
Packaging Qty : 1
Product Barcode : 8682005501434
Shipping Qty : 12
Shipping Barcode : 8682005508099



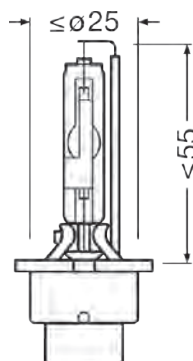
28422

Product Description : Xenon White Light
Ece : D2S
Watt : 35 Watt
Base : P32d-2
Packaging Qty : 1
Product Barcode : 8682005501441
Shipping Qty : 12
Shipping Barcode : 8682005508105



28423

Product Description : Xenon White Light
Ece : D3S
Watt : 35 Watt
Base : PK32d-5
Packaging Qty : 1
Product Barcode : 8682005501458
Shipping Qty : 12
Shipping Barcode : 8682005508112

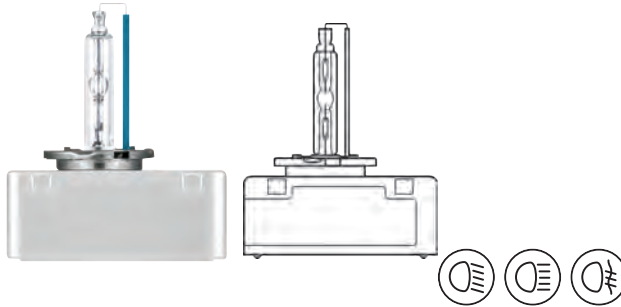


28424

Product Description : Xenon White Light
Ece : D4S
Watt : 35 Watt
Base : P32d-5
Packaging Qty : 1
Product Barcode : 8682005501465
Shipping Qty : 12
Shipping Barcode : 8682005508129

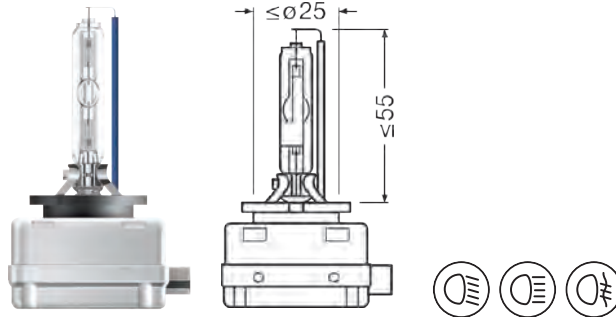
Xenon 6000K Bulbs Series

28425



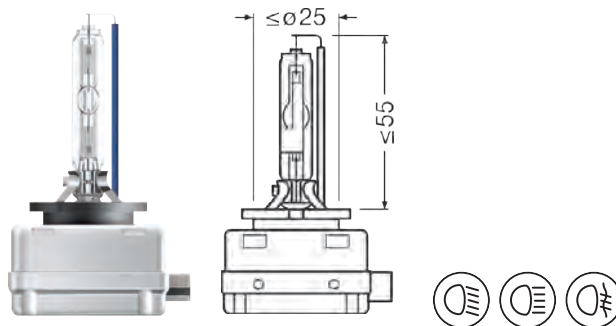
Product Description : Xenon White Light
 Ece : D5S
 Watt : 25 Watt
 Base : PK32d-7
 Packaging Qty : 1
 Product Barcode : 8682005503131
 Shipping Qty : 12
 Shipping Barcode : 8682005509799

28428



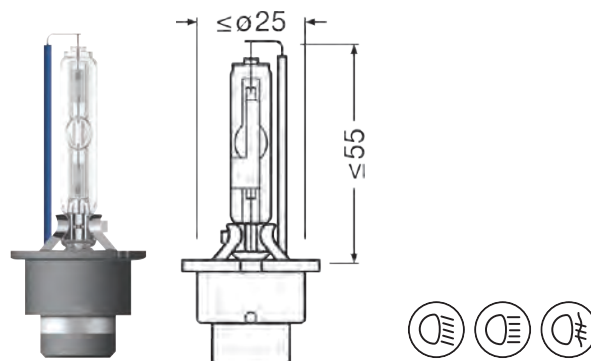
Product Description : Xenon White Light
 Ece : D8S
 Watt : 25 Watt
 Base : PK32d-1
 Packaging Qty : 1
 Product Barcode : 8682005502820
 Shipping Qty : 12
 Shipping Barcode : 8682005509485

28431



Product Description : Xenon White Light
 Ece : D1R
 Watt : 35 Watt
 Base : PK32d-3
 Packaging Qty : 1
 Product Barcode : 8682005502943
 Shipping Qty : 12
 Shipping Barcode : 8682005509607

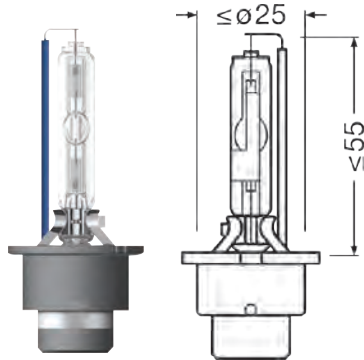
28432



Product Description : Xenon White Light
 Ece : D2R
 Watt : 35 Watt
 Base : P32d-3
 Packaging Qty : 1
 Product Barcode : 8682005502752
 Shipping Qty : 12
 Shipping Barcode : 8682005509416

Xenon 6000K Bulbs Series

28434



Product Description : Xenon White Light
Ece : D4R
Watt : 35 Watt
Base : P32d-6
Packaging Qty : 1
Product Barcode : 8682005502776
Shipping Qty : 12
Shipping Barcode : 8682005509430



Xenon 6000K Ultraviolet Bulbs Series

WOLFRAM
PREMIUM QUALITY



Eye-Catching and Original Lighting The XENON series with 6000 Kelvin ultra violet light is designed to give your vehicle a different and original appearance.

By emitting ultra violet light as well as ice white light, it attracts attention when driving at night. This series, which combines high-performance lighting and an extraordinary appearance, is ideal for drivers who are stylish and want to make a difference.

Available in

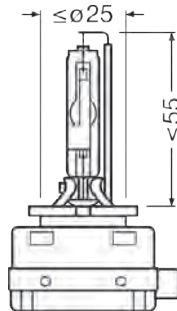


28751 28752 28753 28754 28755 28758

Xenon Lighting Solutions

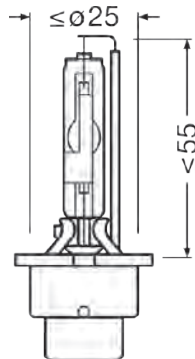
Xenon 6000K Ultraviolet Bulbs Series

28751



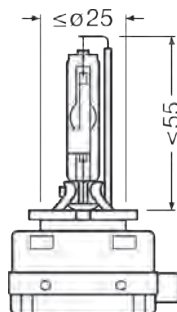
Product Description : Xenon White Light
Ece : D1S
Watt : 35 Watt
Base : PK32d-2
Packaging Qty : 1
Product Barcode : 8682005502875
Shipping Qty : 12
Shipping Barcode : 8682005509539

28752



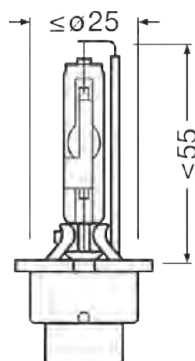
Product Description : Xenon White Light
Ece : D2S
Watt : 35 Watt
Base : P32d-2
Packaging Qty : 1
Product Barcode : 8682005502882
Shipping Qty : 12
Shipping Barcode : 8682005509546

28753



Product Description : Xenon White Light
Ece : D3S
Watt : 35 Watt
Base : PK32d-5
Packaging Qty : 1
Product Barcode : 8682005502899
Shipping Qty : 12
Shipping Barcode : 8682005509553

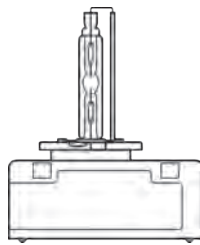
28754



Product Description : Xenon White Light
Ece : D4S
Watt : 35 Watt
Base : P32d-5
Packaging Qty : 1
Product Barcode : 8682005502905
Shipping Qty : 12
Shipping Barcode : 8682005509560

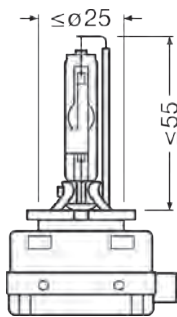
Xenon 6000K Ultraviolet Bulbs Series

28755



Product Description : Xenon White Light
 Ece : D5S
 Watt : 25 Watt
 Base : PK32d-7
 Packaging Qty : 1
 Product Barcode : 8682005502912
 Shipping Qty : 12
 Shipping Barcode : 8682005509577

28758



Product Description : Xenon White Light
 Ece : D8S
 Watt : 25 Watt
 Base : PK32d-1
 Packaging Qty : 1
 Product Barcode : 8682005502929
 Shipping Qty : 12
 Shipping Barcode : 8682005509584

Xenon Lighting Solutions



Xenon 6000K Ultra Violet Bulbs DPC Series

WOLFRAM
PREMIUM QUALITY



Eye-Catching and Original Lighting The XENON series with 6000 Kelvin ultra violet light is designed to give your vehicle a different and original appearance. By emitting ultra violet light as well as ice white light, it attracts attention when driving at night. This series, which combines high-performance lighting and an extraordinary appearance, is ideal for drivers who are stylish and want to make a difference.

EXTRA
BRIGHT
LIGHT

BLUE
BAR



Available in



28751 DPC



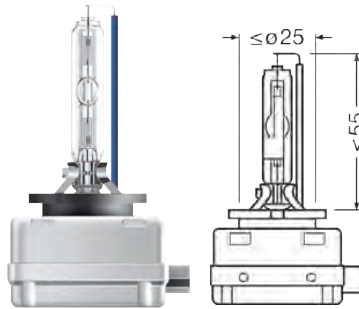
28752 DPC



28753 DPC

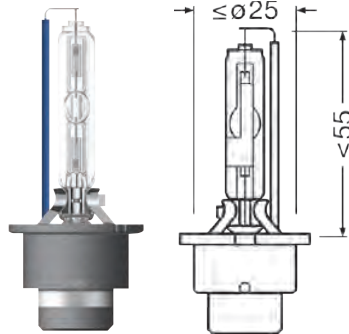
Xenon 6000K Ultra Violet Bulbs DPC Series

28751 DPC



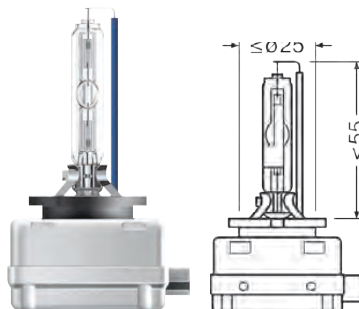
Product Description : Xenon Standard Ultra Violet
 Ece : D1S
 Watt : 35 Watt
 Base : PK32d-2
 Packaging Qty : 2
 Product Barcode : 8682005503247
 Shipping Qty : 5 Sets

28752 DPC



Product Description : Xenon Standard Ultra Violet
 Ece : D2S
 Watt : 35 Watt
 Base : P32d-2
 Packaging Qty : 2
 Product Barcode : 8682005503254
 Shipping Qty : 5 Sets

28753 DPC



Product Description : Xenon Standard Ultra Violet
 Ece : D3S
 Watt : 35 Watt
 Base : PK32d-5
 Packaging Qty : 2
 Product Barcode : 8682005503261
 Shipping Qty : 5 Sets

Xenon Lighting Solutions



Xenon 8000K Bulbs Series

WOLFRAM
PREMIUM QUALITY



Different and Modern Appearance with Blue White Light The 8000 Kelvin XENON series adds a different and modern look to your vehicle with its blueish white light. Offering brighter and more striking lighting compared to halogen bulbs, these bulbs

provide better visibility during night driving. Suitable for both 12V and 24V vehicles, 8000K XENON bulbs are an ideal choice for drivers looking for a stylish and original look. The high performance of the products comes from the XENON special gas used. Wolfram XENON bulbs have an E certificate in accordance with European standards.

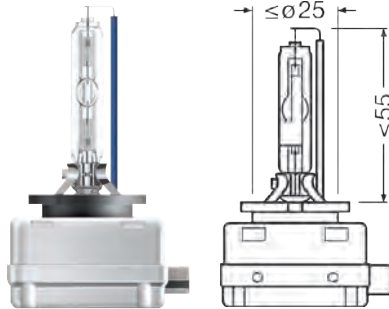
Available in



28521 28522 28523

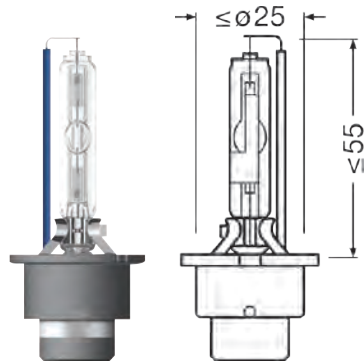
Xenon 8000K Bulbs Series

28521



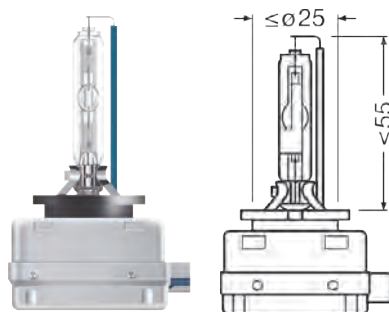
Product Description : Xenon White Light
 Ece : D1S
 Watt : 35 Watt
 Base : PK32d-2
 Packaging Qty : 1
 Product Barcode : 8682005508860
 Shipping Qty : 12
 Shipping Barcode : 8682005508884

28522



Product Description : Xenon White Light
 Ece : D2S
 Watt : 35 Watt
 Base : P32d-2
 Packaging Qty : 1
 Product Barcode : 8682005508891
 Shipping Qty : 12
 Shipping Barcode : 8682005508914

28523



Product Description : Xenon White Light
 Ece : D3S
 Watt : 35 Watt
 Base : PK32d-5
 Packaging Qty : 1
 Product Barcode : 8682005508921
 Shipping Qty : 12
 Shipping Barcode : 8682005508945

LEDXenon

High Performance with Advanced Lighting Technology Wolfram's LED Xenon series combines the latest lighting technologies to provide a superior lighting solution for your vehicles. The lamps in this series combine both the energy efficiency of LED and the brightness of Xenon to provide excellent visibility when driving at night. Thanks to their high-performance LED chips and special design, they illuminate your road more clearly and at a wider angle. The LED Xenon lamps in our series are made of durable materials and are long-lasting and reliable. Their waterproof, dustproof and vibration-resistant construction provides superior resistance to harsh weather and road conditions. Available in different color temperatures and power levels, our lamps offer solutions for all types of vehicles and driving needs. Thanks to their easy installation features, they can be quickly replaced with your existing halogen or Xenon lamps.

Why Wolfram LED Xenon Series?

LED and Xenon Technology: Combines the energy efficiency of LED and the brightness of Xenon.

High Performance: Provides excellent visibility during night driving.

Durable Construction: Waterproof, dustproof and vibration resistant.

Wide Fit: Available in different color temperatures and powers, suitable for all types of vehicles.

Easy Installation: Easily interchangeable with existing halogen or Xenon lamps.

Improve your driving safety and make your night journeys more enjoyable with Wolfram LED Xenon series. With its high performance, durability and wide range of applications, Wolfram is your reliable partner in lighting solutions with E certificate in accordance with European standards.



Dora LED Series



Luna LED Series



Wolf LED Series



LED Xenon



Dora LED Series

WOLFRAM
PREMIUM QUALITY



DORALED's 6500 Kelvin car bulbs are designed to provide superior visibility and enhance your safety during night drives. With a color temperature close to daylight, these bulbs clearly illuminate the road and surroundings, allowing you to spot hazards early.

Daylight Illumination: 6500K color temperature for natural and clear vision.

Increased Safety: Clearly lights up the road and surroundings.

High Brightness: Improves driving comfort.

Durable Construction: Resistant to vibration, water, and dust.

Wide Compatibility: Available in various types for different vehicle models.

Easy Installation: Easily interchangeable with existing halogen bulbs.

Make your night drives safer and more comfortable with DORALED 6500K bulbs!

Available in



Dora LED Series

33101



Product Description : LED Xenon
Ece : H1
Volt : 12 Volt
Watt : 19 Watt
Base : P14.5s
Packaging Qty : 2
Shipping Qty : 50
Product Barcode : 8682005505531

33103



Product Description : LED Xenon
Ece : H3
Volt : 12 Volt
Watt : 19 Watt
Base : PK22s
Packaging Qty : 2
Shipping Qty : 50
Product Barcode : 8682005505548

33144



Product Description : LED Xenon
Ece : H4
Volt : 12 Volt
Watt : 19 Watt
Base : P43t
Packaging Qty : 2
Shipping Qty : 50
Product Barcode : 8682005505555

33197



Product Description : LED Xenon
Ece : H7
Volt : 12 Volt
Watt : 19 Watt
Base : PX26d
Packaging Qty : 2
Shipping Qty : 50
Product Barcode : 8682005505562

LED Xenon

Dora LED Series



33205

Product Description : LED Xenon
Ece : HB3
Volt : 12 Volt
Watt : 19 Watt
Base : P20d
Packaging Qty : 2
Shipping Qty : 50
Product Barcode : 8682005505579



33206

Product Description : LED Xenon
Ece : HB4
Volt : 12 Volt
Watt : 19 Watt
Base : P22d
Packaging Qty : 2
Shipping Qty : 50
Product Barcode : 8682005505586



33218

Product Description : LED Xenon
Ece : H8
Volt : 12 Volt
Watt : 19 Watt
Base : PGJ19-1
Packaging Qty : 2
Shipping Qty : 50
Product Barcode : 8682005505593



33221

Product Description : LED Xenon
Ece : H11
Volt : 12 Volt
Watt : 19 Watt
Base : PGJ19-2
Packaging Qty : 2
Shipping Qty : 50
Product Barcode : 8682005505609

Dora LED Series

33222



Product Description : LED Xenon
 Ece : HIR2
 Volt : 12 Volt
 Watt : 19 Watt
 Base : PX22d
 Packaging Qty : 2
 Shipping Qty : 50
 Product Barcode : 868200505616

33225



Product Description : LED Xenon
 Ece : H15
 Volt : 12 Volt
 Watt : 19 Watt
 Base : PGJ23t-1
 Packaging Qty : 2
 Shipping Qty : 50
 Product Barcode : 868200505623

33226



Product Description : LED Xenon
 Ece : H16
 Volt : 12 Volt
 Watt : 19 Watt
 Base : PGJ19-3
 Packaging Qty : 2
 Shipping Qty : 50
 Product Barcode : 868200505630

33227



Product Description : LED Xenon
 Ece : H27
 Volt : 12 Volt
 Watt : 19 Watt
 Base : PGJ13
 Packaging Qty : 2
 Shipping Qty : 50
 Product Barcode : 868200505647

Dora LED Series



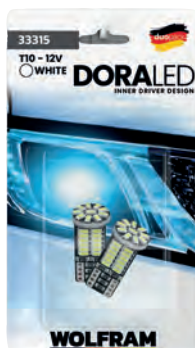
33305

Product Description : LED
Ece : T10 White
Volt : 12 Volt
Watt : 19 Watt
Base : W2.1x9.5d
Packaging Qty : 2
Shipping Qty : 50
Product Barcode : 868200509010



33307

Product Description : LED
Ece : T10 Amber
Volt : 12 Volt
Watt : 19 Watt
Base : W2.1x9.5d
Packaging Qty : 2
Shipping Qty : 50
Product Barcode : 868200509027



33315

Product Description : 33315
Ece : LED
Volt : T10 White
Watt : 12 Volt
Base : 19 Watt
Packaging Qty : W2.1x9.5d
Shipping Qty : 2
Product Barcode : 50
8682005509034

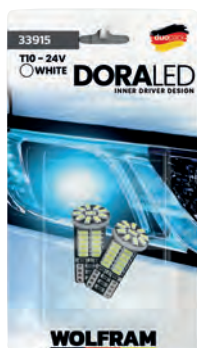


33317

Product Description : LED
Ece : T10 Amber
Volt : 12 Volt
Watt : 19 Watt
Base : W2.1x9.5d
Packaging Qty : 2
Shipping Qty : 50
Product Barcode : 8682005509041

Dora LED Series

33915



Product Description : LED
Ece : T10 Amber
Volt : 24 Volt
Watt : 19 Watt
Base : W2.1x9.5d
Packaging Qty : 2
Shipping Qty : 50
Product Barcode : 8682005509058

LED Xenon



Luna LED Series

WOLFRAM
PREMIUM QUALITY

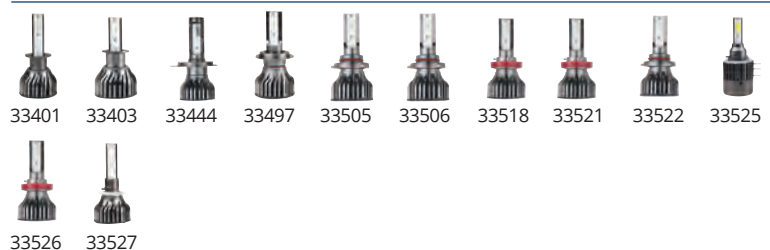


LUNALED's 6500 Kelvin fan car bulbs combine high-performance lighting with advanced cooling technology for an exceptional nighttime driving experience. The 6500K color temperature provides daylight clarity, helping you detect obstacles and hazards earlier. The integrated fan system prevents overheating, ensuring longer-lasting and stable performance.

- Daylight Lighting:** Natural clarity with 6500K color temperature.
- Integrated Fan System:** Extends bulb life by preventing overheating.
- Increased Safety:** Clearly illuminates the road and surroundings for early hazard detection.
- High Brightness:** Enhances driving comfort and visibility to other drivers.
- Durable Structure:** Vibration, water, and dust resistant.
- Wide Compatibility:** Available in various types (H4, H7, H11, etc.) for different vehicles.
- Easy Installation:** Quick replacement for existing halogen bulbs.

Make your night drives safer and more comfortable with LUNALED 6500K fan car bulbs. With superior lighting, advanced cooling, and easy installation, LUNALED is your reliable partner in vehicle lighting solutions, compliant with European standards.

Available in



Luna LED Series

33401



Product Description : LED Xenon
 Ece : H1
 Volt : 12 Volt
 Watt : 22 Watt
 Base : P14.5s
 Packaging Qty : 2
 Shipping Qty : 50
 Product Barcode : 8682005501168

33403



Product Description : LED Xenon
 Ece : H3
 Volt : 12 Volt
 Watt : 22 Watt
 Base : PK22s
 Packaging Qty : 2
 Shipping Qty : 50
 Product Barcode : 8682005505302

33444



Product Description : LED Xenon
 Ece : H4
 Volt : 12 Volt
 Watt : 22 Watt
 Base : P43t
 Packaging Qty : 2
 Shipping Qty : 50
 Product Barcode : 8682005505319

33497



Product Description : LED Xenon
 Ece : H7
 Volt : 12 Volt
 Watt : 22 Watt
 Base : PX26d
 Packaging Qty : 2
 Shipping Qty : 50
 Product Barcode : 8682005505326

Luna LED Series



Product Description : LED Xenon
Ece : HB3
Volt : 12 Volt
Watt : 22 Watt
Base : P20d
Packaging Qty : 2
Shipping Qty : 50
Product Barcode : 8682005505333

33505



Product Description : LED Xenon
Ece : HB4
Volt : 12 Volt
Watt : 22 Watt
Base : P22d
Packaging Qty : 2
Shipping Qty : 50
Product Barcode : 8682005505340

33506



Product Description : LED Xenon
Ece : H8
Volt : 12 Volt
Watt : 22 Watt
Base : PGJ19-1
Packaging Qty : 2
Shipping Qty : 50
Product Barcode : 8682005505357

33518



Product Description : LED Xenon
Ece : H11
Volt : 12 Volt
Watt : 22 Watt
Base : PGJ19-2
Packaging Qty : 2
Shipping Qty : 50
Product Barcode : 8682005505364

33521

Luna LED Series

33522



Product Description : LED Xenon
 Ece : HIR2
 Volt : 12 Volt
 Watt : 22 Watt
 Base : PX22d
 Packaging Qty : 2
 Shipping Qty : 50
 Product Barcode : 8682005505371

33525



Product Description : LED Xenon
 Ece : H15
 Volt : 12 Volt
 Watt : 22 Watt
 Base : PGJ23t-1
 Packaging Qty : 2
 Shipping Qty : 50
 Product Barcode : 8682005505388

33526



Product Description : LED Xenon
 Ece : H16
 Volt : 12 Volt
 Watt : 22 Watt
 Base : PGJ19-3
 Packaging Qty : 2
 Shipping Qty : 50
 Product Barcode : 8682005505395

33527



Product Description : LED Xenon
 Ece : H27
 Volt : 12 Volt
 Watt : 22 Watt
 Base : PGJ13
 Packaging Qty : 2
 Shipping Qty : 50
 Product Barcode : 8682005505401

LED Xenon



Wolf LED Series

WOLFRAM
PREMIUM QUALITY



WOLF LED's 11000 Kelvin fan car bulb series offers exceptional blue-toned lighting for drivers seeking a modern, eye-catching appearance. The integrated fan system prevents overheating, ensuring long-lasting and stable performance.

Blue Tone Lighting: Striking look with 11000K color temperature.

Integrated Fan System: Extends bulb life by preventing overheating.

High Brightness: Enhances driving comfort and visibility to other drivers.

Durable Structure: Resistant to vibration, water, and dust.

Wide Compatibility: Available in various types (H4, H7, H11, etc.) for different vehicle models.

Easy Installation: Quick replacement for existing halogen bulbs.

Enhance your vehicle's style with WOLF LED 11000K fan bulbs. With high performance and easy installation, WOLF LED is your reliable partner in vehicle lighting solutions, compliant with European standards.

Available in



33601 33644 33697 33705 33706 33721 33844 38311 38312 38313



Effective
Cooling

Wolf LED Series

33601



Product Description : LED Xenon
 Ece : H1
 Volt : 12 Volt
 Watt : 75 Watt
 Base : P14.5s
 Packaging Qty : 2
 Shipping Qty : 50
 Product Barcode : 8682005508785

33644



Product Description : LED Xenon
 Ece : H4
 Volt : 12 Volt
 Watt : 75/70 Watt
 Base : P43t
 Packaging Qty : 2
 Shipping Qty : 50
 Product Barcode : 8682005508792

33697



Product Description : LED Xenon
 Ece : H7
 Volt : 12 Volt
 Watt : 75 Watt
 Base : PX26d
 Packaging Qty : 2
 Shipping Qty : 50
 Product Barcode : 8682005508808

33705



Product Description : LED Xenon
 Ece : HB3
 Volt : 12 Volt
 Watt : 22 Watt
 Base : P20d
 Packaging Qty : 2
 Shipping Qty : 50
 Product Barcode : 8682005507825

Wolf LED Series



33706

Product Description : LED Xenon
 Ece : HB4
 Volt : 12 Volt
 Watt : 22 Watt
 Base : P22d
 Packaging Qty : 2
 Shipping Qty : 50
 Product Barcode : 8682005500017



33721

Product Description : LED Xenon
 Ece : H11
 Volt : 12 Volt
 Watt : 75 Watt
 Base : PGJ19-2
 Packaging Qty : 2
 Shipping Qty : 50
 Product Barcode : 8682005508815



33844

Product Description : LED Xenon
 Ece : H4
 Volt : 12-24 Volt
 Watt : 75/70 Watt
 Base : P43t
 Packaging Qty : 2
 Shipping Qty : 50
 Product Barcode : 8682005509645



38311

Product Description : LED Xenon
 Ece : D1S / D1R
 Watt : 35 Watt
 Base : PK32d-2 / PK32d-3
 Packaging Qty : 2
 Shipping Qty : 50
 Product Barcode : 8682005509065

Wolf LED Series

38312



Product Description : LED Xenon
Ece : D2S / D2R
Watt : 35 Watt
Base : P32d-2 / P32d-3
Packaging Qty : 2
Shipping Qty : 50
Product Barcode : 8682005509089

38313



Product Description : LED Xenon
Ece : D3S / D3R / D8S
Watt : 35 Watt
Base : PK32d-5 / PK32d-6 / PK32d-1
Packaging Qty : 2
Shipping Qty : 50
Product Barcode : 8682005509621

LedWarningLights&LedBarsLightingSolutions

High Performance, Reliable Lighting Solutions with Low Energy Wolfram's LED lighting series offers high performance and reliable lighting solutions for your vehicles.

From overhead warning lights to fog lamps, from work lights to daytime running lights, this series is designed to meet your every need. Thanks to superior LED technology, it offers high light output, low energy consumption and long life. All products in our series are made of durable materials and are resistant to harsh weather conditions and impacts. Thanks to their easy mounting features, they can be seamlessly integrated into existing vehicle systems. Whether for professional use or for everyday driving, increase your safety and maximize your visibility with the Wolfram LED lighting series.

Why Wolfram LED Lighting Series?

Wide Product Range: From overhead beacons to fog lamps, Wolfram offers a wide range of options.

High Performance: High light output, low energy consumption and long life.

Durable Design: Made of materials resistant to harsh conditions.

Easy Installation: Easily integrated into existing vehicle systems.

Safety and Visibility: Increases your driving safety and maximizes your visibility.

Meet the lighting needs of your vehicles safely with Wolfram LED lighting series. With high performance, durability and a wide range of products, Wolfram is your reliable partner with E certification in accordance with European standards for lighting.



LED Overhead Warning Lights Series



LED Warning Lightbar Series - NEON



LED Warning Lightbar Series - BEAD



LED Bar, Daytime Running Light Series



Led Warning Lights & Led Bars Lighting Solutions

LED WOLFLED Working Lights Series



LED Working Lights Series



LED Position Lights Series



LED End Outline Marker Lamps Series



Led Warning Lights & Led Bars Lighting Solutions



LED Overhead Warning Lights Series

WOLFRAM
PREMIUM QUALITY



Bright Solutions for Your Safety The Wolfram range of LED beacons is designed to deliver superior performance and reliability, even in harsh conditions. Whether you are in the roadside assistance, construction or emergency services industry, these lamps provide high visibility, maximizing your safety. The amber colored beacons in our range offer a particularly striking and universally recognized warning signal. Thanks to energy-efficient LED technology, you get a long-lasting and low-maintenance solution. With different sizes, mounting options and flash modes, you can find the best beacon for your needs with Wolfram quality.

High Intensity LEDs: Bright and efficient light output for maximum visibility.

Durable Design: Resistant to harsh weather conditions and vibration.

Energy Efficiency: Long life with low power consumption.

Various Mounting Options: Mounting solutions that easily adapt to different vehicle types.

Different Flash Modes: Adjustable flash options according to your needs.

Wolfram LED overhead warning lights have E certificate in accordance with European standards and guarantee your safety!

Available in



31103 31104 31105 31106 31118 31119 31120 31150

31151 31224 31225 31226

LED Overhead Warning Lights Series



Product Description	: Beacon Lamp
Led Qty	: 48 Leds
Voltage	: 12-24 Volt
Watt	: 48 Watt
Power	: 1watt led chips
Mounting Way	: 6pcs in 1 maganet mounting
Material	: PC
Size	: 15cmx15cmx12cm
Flash Pattern	: 10 Function
Color	: Amber
Long Life	: 65.000 hours
Operating Temperature	: -42o/+67o
Approvals	: R65 Approved
Packaging Qty	: 1
Shipping Qty	: 20
Product Barcode	: 8682005502950

31103

E-Certified



Product Description	: Beacon Lamp
Led Qty	: 48 Leds
Voltage	: 12-24 Volt
Watt	: 48 Watt
Power	: 1watt led chips
Mounting Way	: 8pcs in 1 maganet mounting
Material	: PC
Size	: 15cmx15cmx12cm
Flash Pattern	: 10 Function
Color	: Amber
Long Life	: 65.000 hours
Operating Temperature	: -42o/+67o
Approvals	: R65 / R10 Approved
Packaging Qty	: 1
Shipping Qty	: 20
Product Barcode	: 8682005500178

31104

E-Certified



Product Description	: Beacon Lamp
Led Qty	: 72 Leds
Voltage	: 12-24v
Watt	: 72W
Power	: 72 Pcs. x 1watt led chips
Mounting Way	: Screw
Material	: PC + Aluminum
Size	: 16,5cmx16,5cmx21cm
Flash Pattern	: 10
Color	: Amber Cover, Amber Led Chips
Long Life	: 65.000 hours
Operating Temperature	: -42°C/+67°C
Product Barcode	: 8682005500802

31105

E-Certified

Led Warning Lights & Led Bars Lighting Solutions

LED Overhead Warning Lights Series



Product Description : Beacon Lamp RED
Led Qty : 72 Leds
Voltage : 12-24v
Watt : 72W
Power : 72 Pcs. x 1watt led chips
Mounting Way : Screw
Material : PC+ Aluminum
Size : 16,5cmx16,5cmx21cm
Flash Pattern : 10
Color : Red Cover - Red Leds
Long Life : 65.000 hours
Operating Temperature : -42o/+67o
Product Barcode : 8682005503537

31106

E-Certified



Product Description : Beacon Lamp
Led Qty : 24 Leds
Voltage : 12-24v
Watt : 24W
Power : 24 Pcs. x 1watt led chips
Mounting Way : Screw
Material : PC+ Aluminum
Size : 14.1cmx14.1cmx4.7cm
Color : Amber Cover - Amber Led Chips
Long Life : 65.000 hours
Operating Temperature : -42o/+67o
Product Barcode : 8682005500741

31118

E-Certified



Product Description : Beacon Lamp
Led Qty : 24 Leds
Voltage : 12-24v
Watt : 24W
Power : 24 Pcs. x 1watt led chips
Mounting Way : Din Bracket
Material : PC+ Aluminum
Size : 14.1cmx14.1cmx16.5cm
Color : Amber Cover - Amber Led Chips
Long Life : 65.000 hours
Operating Temperature : -42o/+67o
Product Barcode : 8682005500758

31119

E-Certified

LED Overhead Warning Lights Series



Product Description	: Beacon Lamp
Led Qty	: 48 Leds
Voltage	: 12-24 Volt
Watt	: 48 Watt
Power	: 1watt led chips
Mounting Way	: Bracket Mounting
Material	: PC
Size	: 13cmx13cmx21cm
Flash Pattern	: 10 Function
Color	: Amber
Long Life	: 65.000 hours
Operating Temperature	: -42o/+67o
Approvals	: R65 Approved
Packaging Qty	: 1
Shipping Qty	: 20
Product Barcode	: 8682005502967

31120

E-Certified



Product Description	: Beacon Lamp
Led Qty	: 12Leds
Voltage	: 12-24 Volt
Watt	: 12 Watt
Power	: 1watt led chips
Mounting Way	: Magnet
Material	: PC + ABS
Size	: 9,5cm x 13cm
Color	: Amber
Long Life	: 65.000 hours
Operating Temperature	: -42o/+67o
Approvals	: R10 Approved
Packaging Qty	: 1
Shipping Qty	: 30
Product Barcode	: 8682005509713

31150

E-Certified



Product Description	: Beacon Lamp
Led Qty	: 40 Leds
Voltage	: 12-24 Volt
Watt	: 40 Watt
Power	: 1watt led chips
Mounting Way	: Screw
Material	: PC + ABS
Size	: 10cmx7,2cmx13cm
Flash Pattern	: 7 Function
Color	: Amber
Long Life	: 65.000 hours
Operating Temperature	: -42o/+67o
Approvals	: R9 Approved
Packaging Qty	: 1
Shipping Qty	: 50
Product Barcode	: 8682005509720

31151

E-Certified

Led Warning Lights & Led Bars Lighting Solutions

LED Overhead Warning Lights Series

31224



Product Description : Beacon Lamp Mounting Bracket
Packaging Qty : 1
Shipping Qty : 50
Product Barcode : 8682005503476

31225



Product Description : Beacon Lamp Mounting Bracket
Packaging Qty : 1
Shipping Qty : 50
Product Barcode : 8682005508778

31226



Product Description : Beacon Lamp Mounting Bracket
Packaging Qty : 1
Shipping Qty : 50
Product Barcode : 8682005509706



LED Warning Lightbar Series - NEON

WOLFRAM
PREMIUM QUALITY



Wolfram's LED warning bars provide versatile and reliable solutions for emergencies, road safety, and various warning applications. Available in different flash options, colors, and lengths, these bars ensure effective warning both day and night.

Different Flash Options: Adaptable to various warning scenarios. / **High Brightness:** Ensures visibility in all conditions.

Durable Design: Waterproof and impact-resistant. / **Easy Installation:** Multiple mounting options for convenience.

Versatile Use: Suitable for emergencies and road safety.

Enhance your safety and visibility with Wolfram LED warning bars. With high performance, durability, and versatility, they are your trusted partner in warning solutions, compliant with European standards.

Available in



31345



31361



31376



31391



31406



31418

Led Warning Lights & Led Bars Lighting Solutions

LED Warning Lightbar Series - NEON



31345

Amber

45,8 cm



Product Description : Led Warning Lightbar - NEON
 Led : 3cob X 10w Amber
 Power : 30 Watt
 Voltage : 10-30 Volt
 Waterproof : IP 65

Size : 45,8x5,5x4,5 Cm
 Material : Pc+Aluminum
 Flash : 14 Flash
 Swith : 3,5m Wire+On/Off Plug
 Certificate : 10R-06 E9 23594

Packaging Qty : 1
 Shipping Qty : 26
 Product Barcode : 8682005502974



31361

Amber

61 cm



Product Description : Led Warning Lightbar - NEON
 Led : 4cob X 10w Amber
 Power : 40 Watt
 Voltage : 10-30 Volt
 Waterproof : IP 65

Size : 61x5,5x4,5 cm
 Material : Pc+Aluminum
 Flash : 14 Flash
 Swith : 3,5m Wire+On/Off Plug
 Certificate : 10R-06 E9 23594

Packaging Qty : 1
 Shipping Qty : 15
 Product Barcode : 8682005502981



31376

Amber

76 cm



Product Description : Led Warning Lightbar - NEON
 Led : 5cob X 10w Amber
 Power : 50 Watt
 Voltage : 10-30 Volt
 Waterproof : IP 65

Size : 76x5,5x4,5 cm
 Material : Pc+Aluminum
 Flash : 14 Flash
 Swith : 3,5m Wire+On/Off Plug
 Certificate : 10R-06 E9 23594

Packaging Qty : 1
 Shipping Qty : 15
 Product Barcode : 8682005502998

LED Warning Lightbar Series - NEON



31391

Amber

91 cm



Product Description : Led Warning Lightbar - NEON
 Led : 6cob X 10w Amber
 Power : 60 Watt
 Voltage : 10-30 Volt
 Waterproof : IP 65

Size : 91x5,5x4,5 cm
 Material : Pc+Aluminum
 Flash : 14 Flash
 Swith : 3,5m Wire+On/Off Plug
 Certificate : 10R-06 E9 23594

Packaging Qty : 1
 Shipping Qty : 15
 Product Barcode : 8682005503001



31406

Amber

106 cm



Product Description : Led Warning Lightbar - NEON
 Led : 7cob X 10w Amber
 Power : 70 Watt
 Voltage : 10-30 Volt
 Waterproof : IP 65

Size : 106x5,5x4,5 cm
 Material : Pc+Aluminum
 Flash : 14 Flash
 Swith : 3,5m Wire+On/Off Plug
 Certificate : 10R-06 E9 23594

Packaging Qty : 1
 Shipping Qty : 15
 Product Barcode : 8682005503018



31418

Amber

118,5 cm



Product Description : Led Warning Lightbar - NEON
 Led : 8cob X 10w Amber
 Power : 80 Watt
 Voltage : 10-30 Volt
 Waterproof : IP 65

Size : 118,5x5,5x4,5 cm
 Material : Pc+Aluminum
 Flash : 14 Flash
 Swith : 3,5m Wire+On/Off Plug
 Certificate : 10R-06 E9 23594

Packaging Qty : 1
 Shipping Qty : 15
 Product Barcode : 8682005503025

Led Warning Lights & Led Bars Lighting Solutions



LED Warning Lightbar Series - BEAD

WOLFRAM
PREMIUM QUALITY



Wolfram's LED warning bars provide versatile and reliable solutions for emergencies, road safety, and various warning applications. Available in different flash options, colors, and lengths, these bars ensure effective warning both day and night.

Different Flash Options: Adaptable to various warning scenarios. / **High Brightness:** Ensures visibility in all conditions.

Durable Design: Waterproof and impact-resistant. / **Easy Installation:** Multiple mounting options for convenience.

Versatile Use: Suitable for emergencies and road safety.

Enhance your safety and visibility with Wolfram LED warning bars. With high performance, durability, and versatility, they are your trusted partner in warning solutions, compliant with European standards.

Available in



31545



31561



31576



31591



31606



31618

LED Warning Lightbar Series - BEAD



31545

Amber

45,8 cm



Product Description : Led Warning Lightbar - BEAD
 Led : 18 Led X 1 w Amber
 Power : 18 Watt
 Voltage : 10-30 Volt
 Waterproof : IP 65

Size : 45,8x5,5x4,5 cm
 Material : Pc+Aluminum
 Flash : 14 Flash
 Switch : 3,5m Wire+On/Off Plug
 Certificate : 10R-06 E9 23594

Packaging Qty : 1
 Shipping Qty : 26
 Product Barcode : 8682005505032



31561

Amber

61 cm



Product Description : Led Warning Lightbar - BEAD
 Led : 24 Led X 1 w Amber
 Power : 24 Watt
 Voltage : 10-30 Volt
 Waterproof : IP 65

Size : 61x5,5x4,5 cm
 Material : Pc+Aluminum
 Flash : 14 Flash
 Switch : 3,5m Wire+On/Off Plug
 Certificate : 10R-06 E9 23594

Packaging Qty : 1
 Shipping Qty : 15
 Product Barcode : 8682005503049



31576

Amber

76 cm



Product Description : Led Warning Lightbar - BEAD
 Led : 30 Led X 1 w Amber
 Power : 30 Watt
 Voltage : 10-30 Volt
 Waterproof : IP 65

Size : 76x5,5x4,5 cm
 Material : Pc+Aluminum
 Flash : 14 Flash
 Switch : 3,5m Wire+On/Off Plug
 Certificate : 10R-06 E9 23594

Packaging Qty : 1
 Shipping Qty : 15
 Product Barcode : 8682005503056

Led Warning Lights & Led Bars Lighting Solutions

LED Warning Lightbar Series - BEAD



31591

Amber

91 cm



Product Description	: Led Warning Lightbar - BEAD	Size	: 91x5,5x4,5 cm	Packaging Qty	: 1
Led	: 36 Led X 1 w Amber	Material	: Pc+Aluminum	Shipping Qty	: 15
Power	: 36 Watt	Flash	: 14 Flash	Product Barcode	: 8682005503063
Voltage	: 10-30 Volt	Switch	: 3,5m Wire+On/Off Plug		
Waterproof	: IP 65	Certificate	: 10R-06 E9 23594		



31606

Amber

106 cm



Product Description	: Led Warning Lightbar - BEAD	Size	: 106x5,5x4,5 cm	Packaging Qty	: 1
Led	: 42 Led X 1 w Amber	Material	: Pc+Aluminum	Shipping Qty	: 15
Power	: 42 Watt	Flash	: 14 Flash	Product Barcode	: 8682005503070
Voltage	: 10-30 Volt	Switch	: 3,5m Wire+On/Off Plug		
Waterproof	: IP 65	Certificate	: 10R-06 E9 23594		



31618

Amber

118,5 cm



Product Description	: Led Warning Lightbar - BEAD	Size	: 118,5x5,5x4,5 cm	Packaging Qty	: 1
Led	: 48 Led X 1 w Amber	Material	: Pc+Aluminum	Shipping Qty	: 15
Power	: 48 Watt	Flash	: 14 Flash	Product Barcode	: 8682005503087
Voltage	: 10-30 Volt	Switch	: 3,5m Wire+On/Off Plug		
Waterproof	: IP 65	Certificate	: 10R-06 E9 23594		



LED Bar, Daytime Running Light Series

WOLFRAM
PREMIUM QUALITY



Wolfram's LED bar lamp series delivers superior lighting performance and durability for off-road enthusiasts. Designed for safe driving in challenging conditions, these lamps provide wide-area illumination using high-intensity LEDs, ensuring a clear view whether driving at night or camping.

High Lighting Performance: High-intensity LEDs illuminate a large area.

Durable Design: Waterproof, dustproof, and shockproof for reliable performance.

Wide Application: Suitable for off-road vehicles, trucks, ATVs, and more. / **Various Options:** Available in different sizes, powers, and light patterns.

Easy Installation: Quickly integrates into existing vehicle systems.

Enhance the safety and enjoyment of your off-road adventures with Wolfram LED bar lights. With high performance, durability, and a broad range of applications, Wolfram is your trusted partner in off-road lighting, compliant with European standards.

Available in



31630



31631



31632



31633



31634



31635



31636

Led Warning Lights & Led Bars Lighting Solutions

LED Bar, Daytime Running Light Series



31630

White

Product Description : Led Bar
 LED : 16 LED x 1W White
 Power : 16 Watt
 Voltage : 10-30 Volt
 Waterproof : IP67

Material : PC+Aluminum
 Life : 50.000 hours
 Lumen : 1.600 Lumen

Packaging Qty : 1
 Shipping Qty : 50
 Product Barcode : 8682005503278

20 cm



31631

Amber

White

Product Description : Led Bar
 LED : 8 LED x 3W White
 : 4 LED x 3W Amber
 Flash : 7 Flash Patterns
 Power : 32 Watt

Voltage : 10-30 Volt
 Waterproof : IP67
 Material : PC+Aluminum
 Life : 50.000 hours
 Lumen : 2.400 Lumen

Size : 20cmx5cmx7,5 cm
 Packaging Qty : 1
 Shipping Qty : 10
 Product Barcode : 8682005503285

35 cm



31632

Amber

White

Product Description : Led Bar
 LED : 24 LED x 3W White
 : 8 LED x 3W Amber
 Flash : 7 Flash Patterns
 Power : 72 Watt

Voltage : 10-30 Volt
 Waterproof : IP67
 Material : PC+Aluminum
 Life : 50.000 hours
 Lumen : 4.800 Lumen

Size : 35cmx5cmx7,5 cm
 Packaging Qty : 1
 Shipping Qty : 10
 Product Barcode : 8682005503292

LED Bar, Daytime Running Light Series



31633

Amber

White

55 cm



Product Description	: Led Bar	Voltage	: 10-30 Volt	Size	: 55cmx5cmx7,5 cm
LED	: 28 LED x 3W White	Waterproof	: IP67	Packaging Qty	: 1
	: 12 LED x 3W Amber	Material	: PC+Aluminum	Shipping Qty	: 10
Flash	: 7 Flash Patterns	Life	: 50.000 hours	Product Barcode	: 8682005503308
Power	: 120 Watt	Lumen	: 8.000 Lumen		



31634

Amber

White

80 cm



Product Description	: Led Bar	Voltage	: 10-30 Volt	Size	: 80cmx5cmx7,5 cm
LED	: 48 LED x 3W White	Waterproof	: IP67	Packaging Qty	: 1
	: 12 LED x 3W Amber	Material	: PC+Aluminum	Shipping Qty	: 4
Flash	: 7 Flash Patterns	Life	: 50.000 hours	Product Barcode	: 8682005503315
Power	: 180 Watt	Lumen	: 12.000 Lumen		



31635

Amber

White

105 cm



Product Description	: Led Bar	Voltage	: 10-30 Volt	Size	: 105cmx5cmx7,5 cm
LED	: 68 LED x 3W White	Waterproof	: IP67	Packaging Qty	: 1
	: 12 LED x 3W Amber	Material	: PC+Aluminum	Shipping Qty	: 4
Flash	: 7 Flash Patterns	Life	: 50.000 hours	Product Barcode	: 8682005503322
Power	: 240 Watt	Lumen	: 16.000 Lumen		

Led Warning Lights & Led Bars Lighting Solutions

LED Bar, Daytime Running Light Series

31636

Amber

White



Product Description : Led Bar
LED : 88 LED x 3W White
 : 12 LED x 3W Amber
Flash : 7 Flash Patterns
Power : 300 Watt

Voltage : 10-30 Volt
Waterproof : IP67
Material : PC+Aluminum
Life : 50.000 hours
Lumen : 20.000 Lumen

Size : 130cmx5cmx7,5 cm
Packaging Qty : 1
Shipping Qty : 4
Product Barcode : 8682005503339



LED WOLFLED Working Lights Series

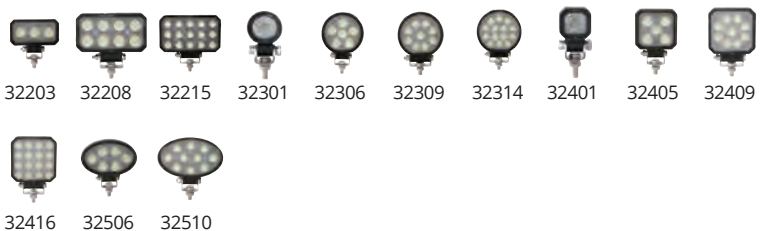
WOLFRAM
PREMIUM QUALITY



Designed for the toughest working conditions, **WOLFRAM WOLFLED** work lights offer maximum performance for construction machinery, tractors, and vehicles used in mining sites. Thanks to its high lumen value, these special floodlights turn darkness into daylight, illuminating the work area completely with their wide-angle light distribution.

They provide full protection against the most challenging weather and environmental conditions with their IP67 water and dust resistance standard. Thanks to its E-certified structure, it complies with international standards, while its advanced EMC (electromagnetic compatibility) technology prevents interference with vehicle electronic systems. With its durable housing and long-lasting LED technology, it minimizes maintenance needs and ensures maximum efficiency. **WOLFRAM WOLFLED** is built for tough conditions. The strongest solution against darkness. Reliable lighting in challenging working conditions is indispensable for work safety and productivity.

Available in



Led Warning Lights & Led Bars Lighting Solutions

LED WOLFLED Working Lights Series



32203

Product Description	: RECTANGULAR MIDI WORK LAMP
LED Power	: 12W 1020LM
Operating Voltage	: 9-32 V DC
LED Type	: 12pcs*1W High intensity OSRAM LEDs
Waterproof rate	: IP67
Color Temperature	: 5300-5700K
Material	: Diecast aluminum housing
Lens material	: PC
Beam	: Flood beam
Life Time	: 30000 hours above life time
Certificates	: CE/RoHs/E-Mark
Weight	: 194g
12V	: 0.75A
24V	: 0.38A
Packagxng Qty	: 1 Pcs
Shipping Qty	: 40 Pcs
Product Barcode	: 8682005503667



32208

Product Description	: RECTANGULAR MAXI WORK LAMP
LED Power	: 32W 2720LM
Operating Voltage	: 9-32 V DC
LED Type	: 32pcs*1W High intensity OSRAM LEDs
Waterproof rate	: IP67
Color Temperature	: 5300-5700K
Material	: Diecast aluminum housing
Lens material	: PC
Beam	: Flood beam
Life Time	: 30000 hours above life time
Certificates	: CE/RoHs/E-Mark
Weight	: 291.5g
12V	: 1.95A
24V	: 0.96A
Packagxng Qty	: 1 Pcs
Shipping Qty	: 40 Pcs
Product Barcode	: 8682005503674

LED WOLFLED Working Lights Series



32215

Product Description	: RECTANGULAR LARGE WORK LAMP
LED Power	: 60W 5100LM
Operating Voltage	: 9-32 V DC
LED Type	: 60pcs*1W High intensity OSRAM LEDs
Waterproof rate	: IP67
Color Temperature	: 5300-5700K
Material	: Diecast aluminum housing
Lens material	: PC
Beam	: Flood beam
Life Time	: 30000 hours above life time
Certificates	: CE/RoHs/E-Mark
Weight	: 596g
12V	: 3.88A
24V	: 1.88A
Packagxng Qty	: 1 Pcs
Shipping Qty	: 40 Pcs
Product Barcode	: 8682005503681



32301

Product Description	: WORK LAMP ROUND MINI
LED Power	: 5W 425LM
Operating Voltage	: 9-32 V DC
LED Type	: 5pcs*1W High intensity OSRAM LEDs
Waterproof rate	: IP67
Color Temperature	: 5300-5700K
Material	: Diecast aluminum housing
Lens material	: PC
Beam	: Flood beam
Life Time	: 30000 hours above life time
Certificates	: CE/RoHs/E-Mark
Weight	: 66g
12V	: 0.24A
24V	: 0.13A
Packagxng Qty	: 1 Pcs
Shipping Qty	: 40 Pcs
Product Barcode	: 8682005503698

Led Warning Lights & Led Bars Lighting Solutions

LED WOLFLED Working Lights Series



32306

Product Description	: WORK LAMP ROUND MIDI
LED Power	: 24W 2040LM
Operating Voltage	: 9-32 V DC
LED Type	: 24pcs*1W High intensity OSRAM LEDs
Waterproof rate	: IP67
Color Temperature	: 5300-5700K
Material	: Diecast aluminum housing
Lens material	: PC
Beam	: Flood beam
Life Time	: 30000 hours above life time
Certificates	: CE/RoHs/E-Mark
Weight	: 232g
12V	: 1.4A
24V	: 0.7A
Packagxng Qty	: 1 Pcs
Shipping Qty	: 40 Pcs
Product Barcode	: 8682005503704



32309

Product Description	: WORK LAMP ROUND MAXI
LED Power	: 36W 3060LM
Operating Voltage	: 9-32 V DC
LED Type	: 36pcs*1W High intensity OSRAM LEDs
Waterproof rate	: IP67
Color Temperature	: 5300-5700K
Material	: Diecast aluminum housing
Lens material	: PC
Beam	: Flood beam
Life Time	: 30000 hours above life time
Certificates	: CE/RoHs/E-Mark
Weight	: 415.5g
12V	: 2.38A
24V	: 1.17A
Packagxng Qty	: 1 Pcs
Shipping Qty	: 40 Pcs
Product Barcode	: 8682005503711

LED WOLFLED Working Lights Series



32314

Product Description	: ROUND LARGE WORK LAMP
LED Power	: 56W 4760LM
Operating Voltage	: 9-32 V DC
LED Type	: 56cs*1W High intensity OSRAM LEDs
Waterproof rate	: IP67
Color Temperature	: 5300-5700K
Material	: Diecast aluminum housing
Lens material	: PC
Beam	: Flood beam
Life Time	: 30000 hours above life time
Certificates	: CE/RoHs/E-Mark
Weight	: 545g
12V	: 3.77A
24V	: 1.67A
Packagxng Qty	: 1 Pcs
Shipping Qty	: 40 Pcs
Product Barcode	: 8682005503728



32401

Product Description	: SQUARE MINI WORK LAMP
LED Power	: 5W 425LM
Operating Voltage	: 9-32 V DC
LED Type	: 5pcs*1W High intensity OSRAM LEDs
Waterproof rate	: IP67
Color Temperature	: 5300-5700K
Material	: Diecast aluminum housing
Lens material	: PC
Beam	: Flood beam
Life Time	: 30000 hours above life time
Certificates	: CE/RoHs/E-Mark
Weight	: 66.5g
12V	: 0.24A
24V	: 0.13A
Packagxng Qty	: 1 Pcs
Shipping Qty	: 40 Pcs
Product Barcode	: 8682005503735

Led Warning Lights & Led Bars Lighting Solutions

LED WOLFLED Working Lights Series



32405

Product Description	: SQUARE MIDI WORK LAMP
LED Power	: 20W 1700LM
Operating Voltage	: 9-32 V DC
LED Type	: 20pcs*1W High intensity OSRAM LEDs
Waterproof rate	: IP67
Color Temperature	: 5300-5700K
Material	: Diecast aluminum housing
Lens material	: PC
Beam	: Flood beam
Life Time	: 30000 hours above life time
Certificates	: CE/RoHs/E-Mark
Weight	: 238g
12V	: 1.4A
24V	: 0.7A
Packagxng Qty	: 1 Pcs
Shipping Qty	: 40 Pcs
Product Barcode	: 8682005503742



32409

Product Description	: SQUARE MAXI WORK LAMP
LED Power	: 36W 3060LM
Operating Voltage	: 9-32 V DC
LED Type	: 36pcs*1W High intensity OSRAM LEDs
Waterproof rate	: IP67
Color Temperature	: 5300-5700K
Material	: Diecast aluminum housing
Lens material	: PC
Beam	: Flood beam
Life Time	: 30000 hours above life time
Certificates	: CE/RoHs/E-Mark
Weight	: 401g
12V	: 2.36A
24V	: 1.15A
Packagxng Qty	: 1 Pcs
Shipping Qty	: 20 Pcs
Product Barcode	: 8682005503759

LED WOLFLED Working Lights Series



32416

Product Description	: SQUARE LARGE WORK LAMP
LED Power	: 64W 5440LM
Operating Voltage	: 9-32 V DC
LED Type	: 64pcs*1W High intensity OSRAM LEDs
Waterproof rate	: IP67
Color Temperature	: 5300-5700K
Material	: Diecast aluminum housing
Lens material	: PC
Beam	: Flood beam
Life Time	: 30000 hours above life time
Certificates	: CE/RoHs/E-Mark
Weight	: 572g
12V	: 4.22A
24V	: 1.94A
Packagxng Qty	: 1 Pcs
Shipping Qty	: 40 Pcs
Product Barcode	: 8682005503766



32506

Product Description	: ÇALIŞMA LAMBASI ELİPS MİDİ
LED Power	: 24W 2040LM
Operating Voltage	: 9-32 V DC
LED Type	: 24pcs*1W High intensity OSRAM LEDs
Waterproof rate	: IP67
Color Temperature	: 5300-5700K
Material	: Diecast aluminum housing
Lens material	: PC
Beam	: Flood beam
Life Time	: 30000 hours above life time
Certificates	: CE/RoHs/E-Mark
Weight	: 229.5g
12V	: 1.45A
24V	: 0.71A
Packagxng Qty	: 1 Pcs
Shipping Qty	: 20 Pcs
Product Barcode	: 8682005503773

LED WOLFLED Working Lights Series



32510

Product Description	: WORK LAMP ELLIPS MAXI
LED Power	: 40W 3400LM
Operating Voltage	: 9-32 V DC
LED Type	: 40pcs*1W High intensity OSRAM LEDs
Waterproof rate	: IP67
Color Temperature	: 5300-5700K
Material	: Diecast aluminum housing
Lens material	: PC
Beam	: Flood beam
Life Time	: 30000 hours above life time
Certificates	: CE/RoHs/E-Mark
Weight	: 423g
12V	: 2.45A
24V	: 1.2A
Packagxng Qty	: 1 Pcs
Shipping Qty	: 40 Pcs
Product Barcode	: 8682005503780



LED Working Lights Series

WOLFRAM
PREMIUM QUALITY



Wolfram's LED work lights are designed for reliable illumination of construction machinery and forklifts in harsh conditions. Featuring high-brightness LEDs and a durable build, these lights provide excellent visibility on construction sites, in mines, and warehouses, ensuring tasks can be completed efficiently and safely.

High Brightness: Offers outstanding visibility for safe operations.

Durable Design: Waterproof, dustproof, and vibration resistant for lasting performance.

Wide Application: Ideal for construction machinery, forklifts, tractors, and more.

Various Options: Available in multiple power levels, sizes, and light patterns.

Easy Installation: Quickly integrates into existing vehicle systems.

Enhance safety and productivity with Wolfram LED work lights, your trusted partner for high-performance and durable lighting, compliant with European standards.

Available in



Led Warning Lights & Led Bars Lighting Solutions

LED Working Lights Series

31820

Red



Product Description	: Led Forklift Safety Light
LED	: 3 LED x 3W Red
Power	: 9 Watt
Voltage	: 10-110 Volt
Waterproof	: IP67
Material	: PC+Aluminum
Lumen	: 1800 LM
Certificate	: 10R-06 E9 23594
Packaging Qty	: 1
Shipping Qty	: 40
Product Barcode	: 8682005503094

31826

Blue



Product Description	: Led Forklift Safety Light
LED	: 2 LED x 10W Blue
Power	: 20 Watt
Voltage	: 10-110 Volt
Waterproof	: IP67
Material	: PC+Aluminum
Lumen	: 1800 LM
Certificate	: 10R-06 E9 23594
Packaging Qty	: 1
Shipping Qty	: 20
Product Barcode	: 8682005503100

31901

White



Product Description	: Led Working Lamp
LED	: 9 LED x 3W White
Power	: 27 Watt
Voltage	: 10-30 Volt
Waterproof	: IP67
Material	: PC+Aluminum
Lumen	: 1800 LM
Certificate	: 10R-06 E9 23594
Packaging Qty	: 1
Shipping Qty	: 40
Product Barcode	: 8682005503117

LED Working Lights Series



Product Description : Led Working Lamp
 LED : 9 LED x 3W White
 : 6 LED x 1W Red
 Power : 27 Watt + 6 Watt
 Voltage : 10-30 Volt
 Waterproof : IP67
 Material : PC+Aluminum
 Lumen : 2400 LM
 Certificate : 10R-06 E9 23594
 Packaging Qty : 1
 Shipping Qty : 40
 Product Barcode : 8682005503124

31903

White

Red



Product Description : Led bar
 LED : 12 LED x 3W White
 Power : 36 Watt
 Voltage : 10-30 Volt
 Waterproof : IP67
 Material : PC+Aluminum
 Lumen : 2400 LM
 Certificate : 10R-06 E9 23594
 Packaging Qty : 1
 Shipping Qty : 40
 Product Barcode : 8682005501144

31904

White

Amber



Product Description : Led bar
 LED : 12 LED x 3W White
 Power : 48 Watt
 Voltage : 10-30 Volt
 Waterproof : IP67
 Material : PC+Aluminum
 Lumen : 2400 LM
 Certificate : 10R-06 E9 23594
 Packaging Qty : 1
 Shipping Qty : 40
 Product Barcode : 8682005500376

31909

White

Led Warning Lights & Led Bars Lighting Solutions

LED Working Lights Series



Product Description : Led bar
 LED : 16 LED x 3W White
 Power : 48 Watt
 Voltage : 10-30 Volt
 Waterproof : IP67
 Material : PC+Aluminum
 Lumen : 2400 LM
 Certificate : 10R-06 E9 23594
 Packaging Qty : 1
 Shipping Qty : 40
 Product Barcode : 8682005509003

31910

White



Product Description : Led bar
 LED : 6 LED x 3W White
 Power : 18 Watt
 Voltage : 10-30 Volt
 Waterproof : IP67
 Material : PC+Aluminum
 Lumen : 1200 LM
 Certificate : 10R-06 E9 23594
 Packaging Qty : 1
 Shipping Qty : 40
 Product Barcode : 8682005501151

31995

White



Product Description : Led Working Lamp
 LED : 8 LED x 3W White
 : 21 LED x 1W Amber
 Power : 24 Watt + 21 Watt
 Voltage : 10-30 Volt
 Waterproof : IP67
 Material : PC+Aluminum
 Lumen : 3700 LM
 Mounting Way : Screw
 Size : 13,5x11x3,5 cm
 Operating Temperature : -42o/+67o
 Certificate : 10R-06 E9 23697
 Packaging Qty : 1
 Shipping Qty : 40
 Product Barcode : 8682005509652

32002

White

Amber

LED Working Lights Series

32003

White

Red



Product Description	: Led Working Lamp
LED	: 8 LED x 3W White
	: 21 LED x 1W Red
Power	: 24 Watt + 21 Watt
Voltage	: 10-30 Volt
Waterproof	: IP67
Material	: PC+Aluminum
Lumen	: 3700 LM
Mounting Way	: Screw
Size	: 13,5x11x3,5 cm
Operating Temperature	: -42°/+67°
Certificate	: 10R-06 E9 23697
Packaging Qty	: 1
Shipping Qty	: 40
Product Barcode	: 8682005509669

32105

White



Product Description	: Led Working Lamp
LED	: 16 LED x 3W White
	: High Intensity Cree LED
Light Output	: 4160 IM
Voltage	: 10-30 Volt
Water-Proof	: IP67
Beam	: Spot Beam Deutsch Connector
Color Temperature	: 6000K
Material	: Diecast Aluminum Housing
Lens material	: Clear PC
Mounting Bracket	: 304 Stainless Steel
Operating Temperature	: -40 - +50°
Certificate	: 10R-05 E9 11348
Packaging Qty	: 1
Shipping Qty	: 12
Product Barcode	: 8682005508983

32106

White



Product Description	: Led Working Lamp
LED	: 16 LED x 3W White
	: High Intensity Cree LED
Light Output	: 4160 IM
Voltage	: 10-30 Volt
Water-Proof	: IP67
Beam	: Spot Beam Deutsch Connector
Color Temperature	: 6000K
Material	: Diecast Aluminum Housing
Lens material	: Clear PC
Mounting Bracket	: 304 Stainless Steel
Operating Temperature	: -40 - +50°
Certificate	: 10R-05 E9 11348
Packaging Qty	: 1
Shipping Qty	: 12
Product Barcode	: 8682005508990

Led Warning Lights & Led Bars Lighting Solutions



LED Position Lights Series

WOLFRAM
PREMIUM QUALITY



Safe and Stylish Visibility Wolfram's range of LED position lights are designed to improve the safety and visibility of your vehicles. High-quality LEDs provide a bright and clear light, making it easy for other drivers to spot you. The LED position lights in our series are made of durable materials, waterproof and vibration resistant. This ensures long-lasting and reliable performance. Available in different colors and sizes, our lamps adapt to all types of vehicles. Thanks to its easy installation features, it can be quickly integrated into existing lighting systems.

Why Wolfram LED Position Lights Series?

High Visibility: Bright and clear light makes you easily recognized by other drivers.

Stylish Design: It gives your vehicles a modern and aesthetic look.

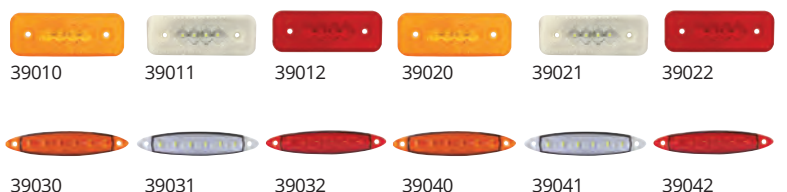
Durable Construction: Waterproof and vibration resistant for long-lasting use.

Wide Fit: Available in different colors and sizes, suitable for all types of vehicles.

Easy Installation: Easily integrated into existing lighting systems.

Increase your safety and add a stylish touch to your vehicles with Wolfram LED position lights series. With high performance, durability and aesthetic design, Wolfram is your trusted partner in lighting solutions with E certification in accordance with European standards.

Available in



LED Position Lights Series



Product Description	: Led Position Lamps	39010
LED Qty	: 4 LED	
Voltage	: 12 Volt	
Power	: 2 Watt	
Mounting Way	: Screw	
Material	: PC+ABS	
Size	: 11x24.1x0.6 cm	
Color	: Amber Cover / Amber Led Chips	
Long Life	: 65000 Hours	
Operating Temperature	: -42°C/+67°C	
Packaging Qty	: 10	
Shipping Qty	: 1000	
Product Barcode	: 8682005509942	



Product Description	: Led Position Lamps	39011
LED Qty	: 4 LED	
Voltage	: 12 Volt	
Power	: 2 Watt	
Mounting Way	: Screw	
Material	: PC+ABS	
Size	: 11x24.1x0.6 cm	
Color	: Clear Cover / White Led Chips	
Long Life	: 65000 Hours	
Operating Temperature	: -42°C/+67°C	
Packaging Qty	: 10	
Shipping Qty	: 1000	
Product Barcode	: 8682005509959	



Product Description	: Led Position Lamps	39012
LED Qty	: 4 LED	
Voltage	: 12 Volt	
Power	: 2 Watt	
Mounting Way	: Screw	
Material	: PC+ABS	
Size	: 11x24.1x0.6 cm	
Color	: Red Cover / Red Led Chips	
Long Life	: 65000 Hours	
Operating Temperature	: -42°C/+67°C	
Packaging Qty	: 10	
Shipping Qty	: 1000	
Product Barcode	: 8682005509966	

Led Warning Lights & Led Bars Lighting Solutions

LED Position Lights Series



Product Description	: Led Position Lamps	39020
LED Qty	: 4 LED	
Voltage	: 24 Volt	
Power	: 2 Watt	
Mounting Way	: Screw	
Material	: PC+ABS	
Size	: 11x24.1x0.6 cm	
Color	: Amber Cover / Amber Led Chips	
Long Life	: 65000 Hours	
Operating Temperature	: -42°C/+67°C	
Packaging Qty	: 10	
Shipping Qty	: 1000	
Product Barcode	: 8682005509973	



Product Description	: Led Position Lamps	39021
LED Qty	: 4 LED	
Voltage	: 24 Volt	
Power	: 2 Watt	
Mounting Way	: Screw	
Material	: PC+ABS	
Size	: 11x24.1x0.6 cm	
Color	: Clear Cover / White Led Chips	
Long Life	: 65000 Hours	
Operating Temperature	: -42°C/+67°C	
Packaging Qty	: 10	
Shipping Qty	: 1000	
Product Barcode	: 8682005509980	



Product Description	: Led Position Lamps	39022
LED Qty	: 4 LED	
Voltage	: 24 Volt	
Power	: 2 Watt	
Mounting Way	: Screw	
Material	: PC+ABS	
Size	: 11x24.1x0.6 cm	
Color	: Red Cover / Red Led Chips	
Long Life	: 65000 Hours	
Operating Temperature	: -42°C/+67°C	
Packaging Qty	: 10	
Shipping Qty	: 1000	
Product Barcode	: 8682005509997	



Product Description	: Side Marker Position Lamp	39024
LED Qty	: 4PCS LEDs	
Voltage	: 12-24V	
Power	: 4PCS*0.5WATT	
Mounting Way	: Screw	
Material	: PC+ABS	
Size	: 11.2x4.2x1.1CM	
Color	: Amber Cover / Amber Led Chips	
Long Life	: 65000 Hours	
Operating Temperature	: -42°C/+67°C	
Packaging Qty	: 10	
Shipping Qty	: 1000	
Product Barcode	: 8682005500765	

LED Position Lights Series



Product Description	Side Marker Position Lamp	39025
LED Qty	4PCS LEDES	
Voltage	12V:	
Power	4PCS*0.5WATT	
Mounting Way	Screw	
Material	PC+ABS	
Size	11.2x7.1x5.2CM	
Color	Amber Cover / Amber Led Chips	
Long Life	65000 Hours	
Operating Temperature	-42°C/+67°C	
Packaging Qty	10 :	
Shipping Qty	1000	
Product Barcode	8682005500772	



Product Description	: Led Position Lamps	39030
LED Qty	: 6 LED	
Voltage	: 12 Volt	
Power	: 3 Watt	
Mounting Way	: Screw	
Material	: PC+ABS	
Size	: 10x2x0,8 cm	
Color	: Amber Cover / Amber Led Chips	
Long Life	: 65000 Hours	
Operating Temperature	: -42°C/+67°C	
Packaging Qty	: 10	
Shipping Qty	: 1000	
Product Barcode	: 8682005509881	



Product Description	: Led Position Lamps	39031
LED Qty	: 6 LED	
Voltage	: 12 Volt	
Power	: 3 Watt	
Mounting Way	: Screw	
Material	: PC+ABS	
Size	: 10x2x0,8 cm	
Color	: Clear Cover / White Led Chips	
Long Life	: 65000 Hours	
Operating Temperature	: -42°C/+67°C	
Packaging Qty	: 10	
Shipping Qty	: 1000	
Product Barcode	: 8682005509898	



Product Description	: Led Position Lamps	39032
LED Qty	: 6 LED	
Voltage	: 12 Volt	
Power	: 3 Watt	
Mounting Way	: Screw	
Material	: PC+ABS	
Size	: 10x2x0,8 cm	
Color	: Red Cover / Red Led Chips	
Long Life	: 65000 Hours	
Operating Temperature	: -42°C/+67°C	
Packaging Qty	: 10	
Shipping Qty	: 1000	
Product Barcode	: 8682005509904	

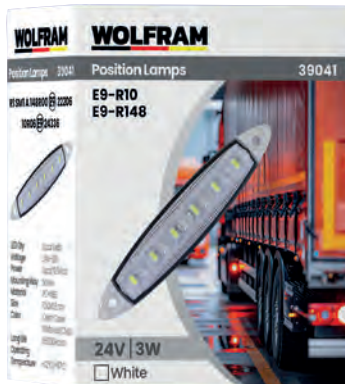
Led Warning Lights & Led Bars Lighting Solutions

LED Position Lights Series



Product Description : Led Position Lamps
LED Qty : 6 LED
Voltage : 24 Volt
Power : 3 Watt
Mounting Way : Screw
Material : PC+ABS
Size : 10x2x0,8 cm
Color : Amber Cover / Amber Led Chips
Long Life : 65000 Hours
Operating Temperature : -42°C/+67°C
Packaging Qty : 10
Shipping Qty : 1000
Product Barcode : 8682005509911

39040



Product Description : Led Position Lamps
LED Qty : 6 LED
Voltage : 24 Volt
Power : 3 Watt
Mounting Way : Screw
Material : PC+ABS
Size : 10x2x0,8 cm
Color : Clear Cover / White Led Chips
Long Life : 65000 Hours
Operating Temperature : -42°C/+67°C
Packaging Qty : 10
Shipping Qty : 1000
Product Barcode : 8682005509928

39041



Product Description : Led Position Lamps
LED Qty : 6 LED
Voltage : 24 Volt
Power : 3 Watt
Mounting Way : Screw
Material : PC+ABS
Size : 10x2x0,8 cm
Color : Red Cover / Red Led Chips
Long Life : 65000 Hours
Operating Temperature : -42°C/+67°C
Packaging Qty : 10
Shipping Qty : 1000
Product Barcode : 8682005509935

39042



LED End Outline Marker Lamps Series

WOLFRAM
PREMIUM QUALITY



At Wolfram, we pride ourselves on delivering high-quality lighting solutions tailored for the transportation industry. Our End Outline Marker Lamps Series has been meticulously designed to enhance visibility and safety for trailers and semi-trailers. These marker lamps are specifically engineered to withstand the rigors of outdoor use, featuring a waterproof design that ensures reliable performance in all weather conditions.

With a selection of 12 distinct products, we offer both right and left-side options to accommodate diverse needs. Each lamp combines cutting-edge technology with durable materials, ensuring long-lasting functionality and compliance with industry standards. Our marker lamps are not only practical but also designed to seamlessly integrate with your vehicle's aesthetic.

Explore our catalogue to discover how Wolfram's End Outline Marker Lamps can elevate the safety and visibility of your trailers, providing peace of mind on every journey.

Available in



WOLFRAMAutomotiveLamps

Led Warning Lights & Led Bars Lighting Solutions

LED End Outline Marker Lamps Series



LED Qty : 6 LEDs
 Position : Left
 Voltage : 10-30V
 Watt : 6W
 Power : 1 Watt led chips
 Mounting Way : Screw
 Material : Silicone+PC
 Size : 178x100x35mm
 Color : Amber, Red, White
 Long Life : 65.000 hours
 Operating Temp. : -420C/+670C
 Packaging Qty : 1
 Product Barcode : 8682005500031
 Shipping Qty : 40

40300

White

Red

Amber



LED Qty : 6 LEDs
 Position : Right
 Voltage : 10-30V
 Watt : 6W
 Power : 1 Watt led chips
 Mounting Way : Screw
 Material : Silicone+PC
 Size : 178x100x35mm
 Color : Amber, Red, White
 Long Life : 65.000 hours
 Operating Temp. : -420C/+670C
 Packaging Qty : 1
 Product Barcode : 8682005500048
 Shipping Qty : 40

40301

White

Red

Amber



LED Qty : 6 LEDs
 Position : Left
 Voltage : 10-30V
 Watt : 6W
 Power : 1 Watt led chips
 Mounting Way : Screw
 Material : Silicone+PC
 Size : 178x115x35mm
 Color : Amber, Red, White
 Long Life : 65.000 hours
 Operating Temp. : -420C/+670C
 Packaging Qty : 1
 Product Barcode : 8682005500055
 Shipping Qty : 20

40302

White

Red

Amber



LED Qty : 6 LEDs
 Position : Right
 Voltage : 10-30V
 Watt : 6W
 Power : 1 Watt led chips
 Mounting Way : Screw
 Material : Silicone+PC
 Size : 178x115x35mm
 Color : Amber, Red, White
 Long Life : 65.000 hours
 Operating Temp. : -420C/+670C
 Packaging Qty : 1
 Product Barcode : 8682005500062
 Shipping Qty : 20

40303

White

Red

Amber

LED End Outline Marker Lamps Series



LED Qty : 6 LEDs
 Position : Left
 Voltage : 10-30V
 Watt : 6W
 Power : 1 Watt led chips
 Mounting Way : Screw
 Material : Silicone+PC
 Size : 178x150x35mm
 Color : Amber, Red, White
 Long Life : 65.000 hours
 Operating Temp. : -420C/+670C
 Packaging Qty : 1
 Product Barcode : 8682005500079
 Shipping Qty : 20

40304

White

Red

Amber



LED Qty : 6 LEDs
 Position : Right
 Voltage : 10-30V
 Watt : 6W
 Power : 1 Watt led chips
 Mounting Way : Screw
 Material : Silicone+PC
 Size : 178x150x35mm
 Color : Amber, Red, White
 Long Life : 65.000 hours
 Operating Temp. : -420C/+670C
 Packaging Qty : 1
 Product Barcode : 8682005500086
 Shipping Qty : 20

40305

White

Red

Amber



LED Qty : 6 LEDs
 Position : Left
 Voltage : 10-30V
 Watt : 6W
 Power : 1 Watt led chips
 Mounting Way : Screw
 Material : Silicone+PC
 Size : 178x100x55mm
 Color : Amber, Red, White
 Long Life : 65.000 hours
 Operating Temp. : -420C/+670C
 Packaging Qty : 1
 Product Barcode : 8682005500093
 Shipping Qty : 40

40310

White

Red

Amber



LED Qty : 6 LEDs
 Position : Right
 Voltage : 10-30V
 Watt : 6W
 Power : 1 Watt led chips
 Mounting Way : Screw
 Material : Silicone+PC
 Size : 178x100x55mm
 Color : Amber, Red, White
 Long Life : 65.000 hours
 Operating Temp. : -420C/+670C
 Packaging Qty : 1
 Product Barcode : 8682005500109
 Shipping Qty : 40

40311

White

Red

Amber

Led Warning Lights & Led Bars Lighting Solutions

LED End Outline Marker Lamps Series



LED Qty : 6 LEDs
 Position : Left
 Voltage : 10-30V
 Watt : 6W
 Power : 1 Watt led chips
 Mounting Way : Screw
 Material : Silicone+PC
 Size : 178x115x55mm
 Color : Amber, Red, White
 Long Life : 65.000 hours
 Operating Temp. : -420C/+670C
 Packaging Qty : 1
 Product Barcode : 8682005500116
 Shipping Qty : 20

40312

White

Red

Amber



LED Qty : 6 LEDs
 Position : Right
 Voltage : 10-30V
 Watt : 6W
 Power : 1 Watt led chips
 Mounting Way : Screw
 Material : Silicone+PC
 Size : 178x115x55mm
 Color : Amber, Red, White
 Long Life : 65.000 hours
 Operating Temp. : -420C/+670C
 Packaging Qty : 1
 Product Barcode : 8682005500123
 Shipping Qty : 20

40313

White

Red

Amber



LED Qty : 6 LEDs
 Position : Left
 Voltage : 10-30V
 Watt : 6W
 Power : 1 Watt led chips
 Mounting Way : Screw
 Material : Silicone+PC
 Size : 178x150x55mm
 Color : Amber, Red, White
 Long Life : 65.000 hours
 Operating Temp. : -420C/+670C
 Packaging Qty : 1
 Product Barcode : 8682005500130
 Shipping Qty : 20

40314

White

Red

Amber



LED Qty : 6 LEDs
 Position : Right
 Voltage : 10-30V
 Watt : 6W
 Power : 1 Watt led chips
 Mounting Way : Screw
 Material : Silicone+PC
 Size : 178x150x55mm
 Color : Amber, Red, White
 Long Life : 65.000 hours
 Operating Temp. : -420C/+670C
 Packaging Qty : 1
 Product Barcode : 8682005500147
 Shipping Qty : 20

40315

White

Red

Amber



LED Rear Tail Lights Series

WOLFRAM
PREMIUM QUALITY



Safety and Style Combined Wolfram's Neon LED Tail Lights series completely revamps the rear view of your vehicles, combining both safety and style. Thanks to neon LED technology, these lights offer an extraordinary brightness and eye-catching appearance, allowing other drivers to recognize you in all conditions. The rear taillights in our range are made from high quality materials and are waterproof, dustproof and vibration resistant. This ensures a long-lasting and reliable performance. It adapts to all kinds of vehicle models with different design and color options. Thanks to its easy installation features, it can be quickly integrated into existing lighting systems.

Why Wolfram Neon LED Tail Lights Series?

Neon LED Technology: Provides exceptional brightness and eye-catching appearance.

High Visibility: Allows you to be easily recognized by other drivers.

Stylish Design: Adds a modern and unique look to your vehicles.

Durable Construction: Waterproof, dustproof and vibration resistant.

Wide Fit: Suitable for all kinds of vehicle models with different design and color options.

Easy Installation: Can be easily integrated into existing lighting systems.

Increase your safety and add a unique style to your vehicle with Wolfram Neon LED Tail Lights series. With high performance, durability and aesthetic design, Wolfram is your trusted partner in lighting solutions with E certification in accordance with European standards.

Available in



WOLFRAMAutomotiveLamps

Led Warning Lights & Led Bars Lighting Solutions

LED Rear Tail Lights Series

3 Functions



Product Description : Neon LED Tail Lamp
 Position : LEFT
 Stop : 16 LED, 3W
 Rear position : 22 LED, 1.6W
 Turn : 6 LED, 1.7W
 Size : 140X38 MM
 Voltage : 10-30 Volt
 LED color : Red, Amber
 IP Rating : IP67
 Operating temp : -40°~+65°C
 Approvals : ECE R6 R7, EMC R10, RoHS
 Mountings : Bolt Mounting
 Packaging Qty : 1
 Shipping Qty : 20
 Product Barcode : 8682005509768

40100

Red

Amber

3 Functions



Product Description : Neon LED Tail Lamp
 Position : RIGHT
 Stop : 16 LED, 3W
 Rear position : 22 LED, 1.6W
 Turn : 6 LED, 1.7W
 Size : 140X38 MM
 Voltage : 10-30 Volt
 LED color : Red, Amber
 IP Rating : IP67
 Operating temp : -40°~+65°C
 Approvals : ECE R6 R7, EMC R10, RoHS
 Mountings : Bolt Mounting
 Packaging Qty : 1
 Shipping Qty : 20
 Product Barcode : 8682005509775

40101

Red

Amber

4 Functions



Product Description : Neon LED Tail Lamp
 Position : LEFT
 Function : T/DI/ST/Reverse
 LED Color : Red-Amber-White
 Voltage : 12-24V
 Watt : T:2.5W / DI:3.5W / ST:5.7W / Reverse:5.7W
 LED QTY : T: 24pcs / DI: 9pcs / ST: 6pcs / Reverse:6pcs
 IP Rating : IP67
 Compliance : ECE: R7 R6 R23
 EMC : R10
 Operating Temp. : -40°C-65°C
 Packing : Qty/ctn: 40pcs
 CTN Size : 62.5x32x32cm
 Packaging Qty : 1
 Shipping Qty : 40
 Product Barcode : 8682005509782

40130

White

Red

Amber

LED Rear Tail Lights Series

4 Functions



Product Description	: Neon LED Tail Lamp	40131
Position	: RIGHT	White
Function	: T/DI/ST/Reverse	Red
LED Color	: Red-Amber-White	Amber
Voltage	: 12-24V	
Watt	: T:2.5W / DI:3.5W / ST:5.7W / Reverse:5.7W	
LED QTY	: T: 24pcs / DI: 9pcs / ST: 6pcs / Reverse:6pcs	
IP Rating	: IP67	
Compliance	: ECE: R7 R6 R23	
EMC	: R10	
Operating Temp.	: -40°C-65°C	
Packing	: Q'ty/ctn: 40pcs	
CTN Size	: 62.5x32x32cm	
Packaging Qty	: 1	
Shipping Qty	: 40	
Product Barcode	: 8682005506118	

6 Functions



Product Description	: Neon LED Tail Lamp	40204
Position	: LEFT	White
LED Color	: Red-Amber-White	Red
Stop	: 3W	Amber
Rear position	: 4W	
D.I.	: 8.2W	
Reverse	: 2.4W	
Rear Fog	: 4.7W	
Size	: 400X140X45 MM	
Voltage	: 10-30V,DC	
IP Rating	: IP67	
Operation Temp.	: -40°~+65°C	
Approvals	: ECE R3 R6 R7 R23 R38, EMC R10, RoHS	
Mountings	: Bolt Mounting	
Packaging Qty	: 1	
Shipping Qty	: 12	
Product Barcode	: 8682005509805	

6 Functions



Product Description	: Neon LED Tail Lamp	40205
Position	: RIGHT	White
LED Color	: Red-Amber-White	Red
Stop	: 3W	Amber
Rear position	: 4W	
D.I.	: 8.2W	
Reverse	: 2.4W	
Rear Fog	: 4.7W	
Size	: 400X140X45 MM	
Voltage	: 10-30V,DC	
IP Rating	: IP67	
Operation Temp.	: -40°~+65°C	
Approvals	: ECE R3 R6 R7 R23 R38, EMC R10, RoHS	
Mountings	: Bolt Mounting	
Packaging Qty	: 1	
Shipping Qty	: 12	
Product Barcode	: 8682005509812	

Led Warning Lights & Led Bars Lighting Solutions

LED Rear Tail Lights Series

7 Functions



Product Description : Truck and Trailer Stop Lamp
 : Neon LED Left

Tail : 1.3W
 Stop : 2,3W
 D.I. : 2.6W
 Reverse : 3,5W
 Rear Fog : 5,4W
 Number Plate : 1.3W
 Size : 235X110X47 MM
 Voltage : 10-30V,DC
 IP Rating : IP67
 Operation Temp. : -40°C~+65°C
 Approvals : ECE, EMC R10, IP67
 Mountings : Bolt Mounting
 Packaging Qty : 1 Pcs
 Shipping Qty : 20 Pcs
 Product Barcode : 8682005500352

40252

White

Red

Amber

7 Functions



Product Description : Truck and Trailer Stop Lamp
 : Neon LED 7 Function Right

Tail : 1.3W
 Stop : 2,3W
 D.I. : 2.6W
 Reverse : 3,5W
 Rear Fog : 5,4W
 Number Plate : 1.3W
 Size : 235X110X47 MM
 Voltage : 10-30V,DC
 IP Rating : IP67
 Operation Temp. : -40°C~+65°C
 Approvals : ECE, EMC R10, IP67
 Mountings : Bolt Mounting
 Packaging Qty : 1 Pcs
 Shipping Qty : 20 Pcs
 Product Barcode : 8682005500369

40253

White

Red

Amber

LED Rear Tail Lights Series

7 Functions



Product Description	: Truck and Trailer Stop Lamp : Neon LED Left
Tail	: 2.1W
Stop	: 3.5W
D.I.	: 3W
Reverse	: 5W
Rear Fog	: 4.2W
Number Plate	: 1.5W
Size	: 241.6X140.4X31.2 MM
Voltage	: 10~30V.DC
IP Rating	: P67
Operation Temp.	: -40°C~+65°C
Approvals	: ECE, EMC R10, IP67
Mountings	: Bolt Mounting
Packaging Qty	: 1 Pcs
Shipping Qty	: 20 Pcs
Product Barcode	: 8682005500680

40270

White

Red

Amber

7 Functions



Product Description	: Truck and Trailer Stop Lamp : Neon LED Right
Tail	: 2.1W
Stop	: 3.5W
D.I.	: 3W
Reverse	: 5W
Rear Fog	: 4.2W
Number Plate	: 1.5W
Size	: 241.6X140.4X31.2 MM
Voltage	: 10~30V.DC
IP Rating	: P67
Operation Temp.	: -40°C~+65°C
Approvals	: ECE, EMC R10, IP67
Mountings	: Bolt Mounting
Packaging Qty	: 1 Pcs
Shipping Qty	: 20 Pcs
Product Barcode	: 8682005500697

40271

White

Red

Amber

Led Warning Lights & Led Bars Lighting Solutions

LED Rear Tail Lights Series

6 Functions



Product Description	: Neon LED Tail Lamp
Position	: LEFT
Tail	: 2.1W
Stop	: 9.1W
D.I.	: 1.9W
Reverse	: 3.1W
Rear Fog	: 9.1W
Size	: 235X110X32mm
Voltage	: 10-30 Volt
LED color	: Red, Amber, White
IP Rating	: IP67
Operating temp	: -40°~+65°C
Approvals	: ECE, EMC R10, IP67
Mountings	: Bolt Mounting
Packaging Qty	: 1
Shipping Qty	: 20
Product Barcode	: 8682005500963

40272

White

Red

Amber

3 Functions



Product Description	: Neon LED Tail Lamp
Position	: RIGHT
Tail	: 2.1W
Stop	: 9.1W
D.I.	: 1.9W
Reverse	: 3.1W
Rear Fog	: 9.1W
Size	: 235X110X32mm
Voltage	: 10-30 Volt
LED color	: Red, Amber, White
IP Rating	: IP67
Operating temp	: -40°~+65°C
Approvals	: ECE, EMC R10, IP67
Mountings	: Bolt Mounting
Packaging Qty	: 1
Shipping Qty	: 20
Product Barcode	: 8682005500970

40273

White

Red

Amber



LED Fog Lamps Series

WOLFRAM
PREMIUM QUALITY



Clear Vision in Bad Weather Wolfram's range of LED fog lamps are designed to improve your driving safety in foggy, rainy or snowy weather. They offer a powerful and focused beam of light thanks to high-intensity LEDs, significantly increasing visibility. They help prevent accidents by making it easier for other drivers to spot you. The LED fog lamps in our range are made from durable materials and are waterproof, dustproof and impact resistant. This ensures reliable performance in extreme weather and road conditions. Available in different sizes, shapes and colors, our lamps adapt to all types of vehicles. Thanks to their easy installation features, they can be quickly integrated into existing lighting systems.

Why Wolfram LED Fog Lamps Series?

High Intensity LEDs: Provides clear visibility in foggy, rainy and snowy weather.

Increased Safety: Helps prevent accidents by increasing visibility.

Durable Construction: Waterproof, dustproof and shockproof.

Wide Fit: Available in different sizes, shapes and colors, suitable for all types of vehicles.

Easy Installation: Can be easily integrated into existing lighting systems.

With the Wolfram range of LED fog lamps you can enjoy a safe and comfortable driving experience even in bad weather conditions. With high performance, durability and a wide range of applications, Wolfram is your reliable partner for lighting solutions. Our products comply with European standards and all products are E-certified.

Available in



31700



31703

LED Fog Lamps Series



31700

White

Yellow

Product Description	: LED Truck Fog Light
Led Qty	: 12 Leds
Voltage	: 10-30 Volt
Driving Light	: 6.8Wx12 LED
Position Light	: Yellow and White 1Wx27
Power	: 60 Watt
Raw Lumen	: 8400 LM
Effective Lumen	: 3500 LM
Approvals	: IP 67 - R10 Approved
Product Barcode	: 8682005507801
Packaging Qty	: 1
Shipping Qty	: 12



LED Plate Light Series

WOLFRAM
PREMIUM QUALITY

WOLFRAM Makra LED license plate lights are designed with their own unique style and surpass their competitors with 4 LED chip options and superior lighting power.

The product has an IP67 waterproof rating and is environmentally friendly. It comes in black and red color options. The red option functions not only as a license plate light but also as a rear parking light on the vehicle. Our products also have EMC (Electron MCLight) certification.



Available in



40504



40506

Led Warning Lights & Led Bars Lighting Solutions

LED Plate Light Series

40504



Product Description	: License Plate Light RED
LED Qty	: 8 PCS Leds
Voltage	: 12-24V
Power	: 4+4 PCS x 0.5 Watt
Mounting Way	: Screw
Material	: PC+ABS
Size	: 8x4.9x4.7
Color	: Red Cover White Led
Long Life	: 65.000 Hours
Operating Temperature	: -42°+67°C
Product Barcode	: 8682005500789

40506



Product Description	: License Plate Light BLACK
LED Qty	: 4 PCS Leds
Voltage	: 12-24V
Power	: 4 PCS x 0.5 Watt
Mounting Way	: Screw
Material	: PC+ABS
Size	: 8x4.9x4.7
Color	: Black Cover White Led
Long Life	: 65.000 Hours
Operating Temperature	: -42°+67°C
Product Barcode	: 8682005500796



Reflectors

WOLFRAM
PREMIUM QUALITY



Benefits of WOLFRAM Triangular and Rectangular Trailer Rear Reflectors

Trailers are vehicles that are difficult for other drivers to see, especially during night driving or in low visibility conditions. Therefore, reflectors attached to the rear of trailers are very important both to increase safety and to ensure compliance with traffic rules.

Benefits of Reflectors on Rectangular Trailers

Rectangular reflectors are positioned to reflect the actual width and height of the trailer. This helps other drivers understand the dimensions of the trailer. Rectangular reflectors, generally due to their wide surface area, reflect light from a wider angle, making the trailer visible from greater distances.

General Importance of Reflectors

Triangular and rectangular reflectors attached to the back of trailers are indispensable elements for driving safety. Properly placed reflectors significantly contribute to reducing accidents, raising awareness among other drivers on the road, and increasing road safety. Therefore, trailer users should pay attention to reflector maintenance and compliance with standards.

Legal Requirement: The use of reflectors on trailers is mandatory in many countries. Complying with these rules both avoids penalties and contributes to overall traffic safety.

Available in



40552



40561



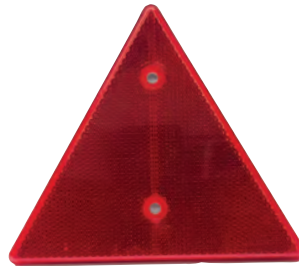
40562



40563

Led Warning Lights & Led Bars Lighting Solutions

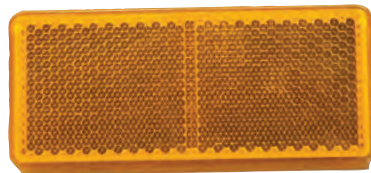
Reflectors



Product Description : Triangular reflector
Mounting Way : Screw
Material : PMMA+ABS
Size : 15.7x13.8x0.6CM
Color : Red
Operating Temperature : -42°C/+67°C
Packaging Qty : 10 Pcs
Shipping Qty : 400 Pcs
Product Barcode : 8682005503544

40552

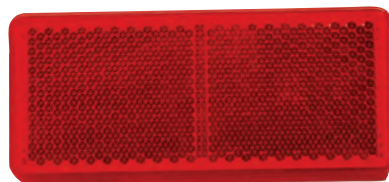
Red



Product Description : Rectangular Reflector Yellow
Mounting Way : Sticker
Material : PMMA+ABS
Size : 9.5x4x0.6CM
Color : Amber
Operating Temperature : -42°C/+67°C
Packaging Qty : 10 Pcs
Shipping Qty : 1000 Pcs
Product Barcode : 8682005503551

40561

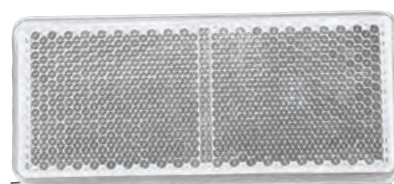
Amber



Product Description : Rectangular Reflector Red
Mounting Way : Sticker
Material : PMMA+ABS
Size : 9.5x4x0.6CM
Color : Red
Operating Temperature : -42°C/+67°C
Packaging Qty : 10 Pcs
Shipping Qty : 1000 Pcs
Product Barcode : 8682005503568

40562

Red



Product Description : Rectangular Reflector White
Mounting Way : Sticker
Material : PMMA+ABS
Size : 9.5x4x0.6CM
Color : Clear
Operating Temperature : -42°C/+67°C
Packaging Qty : 10 Pcs
Shipping Qty : 1000 Pcs
Product Barcode : 8682005503575

40563

White

Motorcycle Lighting Solutions

Wolfram offers a range of lights specifically designed for motorcycles, providing optimum visibility and safety on the road. These high-performance lights provide bright illumination, increasing rider visibility in a variety of conditions, day or night.

Advanced Brightness: Increases road visibility for safer riding experiences.

Durable Construction: Built to withstand harsh weather conditions and vibrations, and built to last.

Stylish Design: A stylish addition to any motorcycle, complementing its aesthetics while ensuring functionality.

Easy Installation: Designed for quick and seamless integration with existing motorcycle systems.

Illuminate your ride with Wolfram motorcycle lights, the perfect blend of performance, durability and style for every motorcycle enthusiast.



Motorcycle Lighting Solutions



Halogen Headlight Bulbs

WOLFRAM
PREMIUM QUALITY



Safe and Clear Vision Our halogen bulb series, specially designed for motorcycles, has been developed to provide superior visibility and increase your safety during day and night driving. These bulbs are designed to suit the special needs of motorcycles and stand out with their vibration-resistant structures and high-performance lighting. Our motorcycle halogen bulbs offer a brighter and wider illumination area compared to standard halogen bulbs. In this way, it allows you to see the road and the surroundings more clearly, helping you to notice obstacles and dangers earlier. It also increases your safety by allowing other drivers to notice you more easily.

Why Special Halogen Bulbs for Motorcycles?

Vibration Resistant Design: Designed for the harsh conditions of motorcycles.

High Performance Lighting: Provides a brighter and wider illumination area than standard halogen bulbs.

Increased Safety: Allows you to see the road and surroundings more clearly, allowing other drivers to notice you more easily.

Easy Installation: Easily replaceable with existing halogen bulbs.

Wide Compatibility: Available in various types compatible with different motorcycle models.

Make your rides safer and more enjoyable with our special halogen bulbs for motorcycles. With its high performance, durability and easy installation features, it has an E certificate in accordance with European standards and is your reliable partner in motorcycle lighting solutions.

Available in



22302



22314



22315

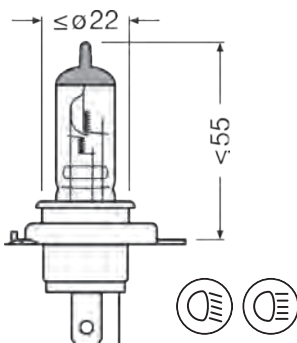
Halogen Headlight Bulbs

22302



Product Description	: Standard Light
Ece	: S2
Volt	: 12 Volt
Watt	: 35/35 Watt
Base	: BA20d
Packaging Qty	: 1
Product Barcode	: 8682005501120
Bundle Qty	: 10
Bundle Barcode	: 8682005504459
Shipping Qty	: 100
Shipping Barcode	: 8682005507788

22314



Product Description	: Standard Light
Ece	: HS1
Volt	: 12 Volt
Watt	: 35/35 Watt
Base	: PX43t
Packaging Qty	: 1
Product Barcode	: 8682005501137
Bundle Qty	: 10
Bundle Barcode	: 8682005504466
Shipping Qty	: 100
Shipping Barcode	: 8682005507795

22315



Product Description	: Standard Light
Ece	: HS5
Volt	: 12 Volt
Watt	: 35/30 Watt
Base	: P23TPCX
Packaging Qty	: 1
Product Barcode	: 8682005508648
Bundle Qty	: 10
Bundle Barcode	: 8682005508655
Shipping Qty	: 100
Shipping Barcode	: 8682005508662



WOLFRAM
PREMIUM QUALITY

Air Compressors



Powerful and Reliable Air Compressors in Wolfram's vehicle accessory series. It offers ideal special solutions for inflating your tires on the road or in your garage, filling your sports equipment and many other jobs. Thanks to their high-performance engines and durable designs, they offer power and reliability to meet all your needs. The air compressors in our series can be easily stored in your vehicles and are ready for use whenever you need them, thanks to their compact and portable features. Thanks to their digital displays and automatic shut-off features, inflating your tires to the correct pressure is now much easier and safer.

Why Wolfram Air Compressors?

High Performance: Provides fast and effective inflation.

Resistant Design: Made from durable materials for long-lasting use.

Portability: Thanks to its compact design, it can be easily carried and stored.

Ease of Use: It is user-friendly with its digital display and automatic shut-off features.

Multi-Purpose Use: Ideal for inflating tires, filling sports equipment and many more.

Stay safe on the road and always be prepared with Wolfram vehicle accessory series air compressors. Powerful, reliable and convenient air compressors. Make your life easier and save time with compressors!

Available in



75510

75515

75518

Air Compressors

75510



Product Description	: Air Compressor
Body	: Metal
Voltage	: DC 12V
Max Pressure	: 150 PSI
Cylinder Diameter	: 1 Piston 30 mm
Cable Length	: 2,7m Cord With Cigarette Lighter
Hose Length	: 0,9M
Nozzle Adaptors	: 3 PCS
Output Volume- No	: 35L/MINSY5083 75510
Packaging Qty	: 1
Box Qty	: 8
Product Barcode	: 8682005500185

75515



Product Description	: Air Compressor
Body	: Metal
Voltage	: DC 12V
Max Pressure	: 150 PSI
Lighting	: Led Light
Cylinder Diameter	: 2 Piston 30 mm
Cable Length	: "2.9m Cord With Crocodile Clip and 4M PU Hose"
Hose Length	: 0,9M
Nozzle Adaptors	: 3 PCS
Output Volume- No	: 60L/MINSY5076L 75515
Packaging Qty	: 1
Box Qty	: 6
Product Barcode	: 8682005500192

75518



Product Description	: Air Compressor
Body	: Plastic
Voltage	: DC 11.1V / DC12V
Max Pressure	: 150 PSI Digital
Battery Capacity	: 200mAhx3
Lighting	: Led Light
Cylinder Diameter	: 17mm
Using Time	: 30 mins
Cable Length	: "Type C card 1m Cord With Cigarette Lighter"
Hose Length	: 45 cm
Power	: 80 Watt
Output Volume- No	: 25L/MINSY5060 75518
Piston Pc - Size	: 1 Piston 17mm
Packaging Qty	: 1
Box Qty	: 20
Product Barcode	: 8682005500208

Electrical Solutions

WOLFRAM equipment that enhances vehicle safety, comfort, and functionality is of great importance, especially for commercial and heavy vehicle users. With our wide range of products, we offer high-quality and durable solutions for both professional and individual needs.

Reverse horns are designed to warn pedestrians and other drivers in the vicinity when the vehicle is reversing. With their loud and attention-grabbing sound, they contribute to accident prevention. Air and electronic horns, on the other hand, make you more noticeable in traffic with their powerful and clear sound output, offering extra safety, especially in long-distance and heavy vehicle use.

Mini relays and power relays, indispensable parts of electrical systems, manage the electrical current in the vehicle safely and efficiently. The horn vibration relay adds a different sound effect to the horn, increasing its attractiveness.

Truck trailer cables and truck trailer plugs are manufactured to transmit the electrical connection between the tractor and the trailer securely and uninterrupted. Thanks to their construction that withstands harsh road and weather conditions, they offer long-lasting use. Tractor and caravan trailer plugs provide a secure connection between different vehicle types, helping lighting and signal systems to function smoothly. With our products that prioritize quality, durability, and safety, we enhance your vehicle's performance while maximizing your driving safety.

The axial fan is a reliable and efficient solution designed to provide high-performance air circulation in industrial and commercial settings. Thanks to its powerful motor structure and aerodynamic impeller design, it offers maximum airflow while minimizing energy consumption.

The durable housing ensures long-lasting use in demanding operating conditions, while its low noise level creates a comfortable working environment. Its easy installation allows for quick integration into various locations; it delivers effective results in factories, warehouses, greenhouses, workshops, and many other spaces requiring ventilation.

With its powerful performance, energy efficiency, and robust construction, the WOLFRAM axial fan is the ideal choice for those seeking a professional air circulation solution.



Horns



Relays



LED Trailer Plug And Truck Trailer Cable



Axial Fans





WOLFRAM
PREMIUM QUALITY

Horns



Safe and Effective Manoeuvres Wolfram's reversing horn series is designed to ensure safe and effective manoeuvres for cars, trucks and construction equipment. With their high sound output and durable construction in accordance with European standards, these horns are ideal for warning pedestrians and other vehicles when reversing. They increase driving safety, especially in heavy traffic and narrow spaces. The reversing horns in our series are available in different sound levels and frequencies, so you can find the right option for every vehicle and environment. Thanks to their easy-to-install features, they can be quickly integrated into existing vehicle systems. Their waterproof and impact-resistant designs ensure reliable performance even in harsh weather conditions.

Why the Wolfram Reversing Horn Series?

- High Sound Output:** Provides effective warning during reversing manoeuvres.
- Wide Application Area:** Suitable for cars, trucks and construction machinery.
- Durable Design:** Waterproof and shockproof.
- Easy Installation:** Provides quick and simple installation.
- Different Options:** Available in different volume levels and frequencies.

Increase your driving safety with the Wolfram reverse horn series. With its high performance, durability and easy installation features, Wolfram reverse horns are an indispensable assistant for safe manoeuvres.

Available in



Horns



60015

Product Description : Electronic Brain
Volt : 12-24V
Packaging Qty : 1
Shipping Qty : 50
Product Barcode : 8682005503490



60020

Product Description : Electronic Coil
Volt : 12V
Packaging Qty : 1
Shipping Qty : 50
Product Barcode : 8682005503506



60025

Product Description : Electronic Coil
Volt : 24V
Packaging Qty : 1
Shipping Qty : 50
Product Barcode : 8682005503513

Horns



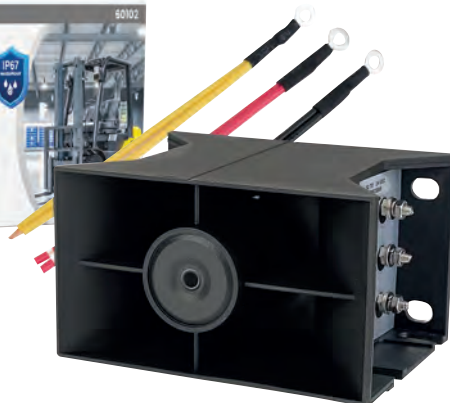
60028

Product Description : Air Valve
 Packaging Qty : 1
 Shipping Qty : 50
 Product Barcode : 8682005503513



60101

Product Description : Back-Up Alarm
 Volt : 12V-48V
 Current : MAX0.5A
 Sound Level : 105±4dB
 Frequency : 1200±200Hz
 Lifetime : 100.000 times
 Packaging Qty : 1
 Shipping Qty : 50
 Product Barcode : 8682005500154



60102

Product Description : Back-Up Alarm
 Volt : 9V-24V
 Current : MAX0.8A
 Sound Level : 107±4dB
 Frequency : 1200±200Hz
 Lifetime : 100.000 times
 Packaging Qty : 1
 Shipping Qty : 30
 Product Barcode : 8682005500161

Horns



60123

Product Description : Electronic Air Horn
Volt : 12V
Packaging Qty : 1
Shipping Qty : 50
Product Barcode : 8682005500918



60124

Product Description : Electronic Air Horn
Volt : 24V
Packaging Qty : 1
Shipping Qty : 50
Product Barcode : 8682005500918



Relays

WOLFRAM
PREMIUM QUALITY



Reliable, High-Performance Electrical Control Wolfram's relay series is designed to provide reliable and efficient control of both 12-volt and 24-volt vehicle electrical systems. From cars to trucks, motorcycles to construction equipment, these relays are ideal for switching electrical circuits on and off, sending signals and performing a variety of other control functions. Made from high quality materials, Wolfram relays withstand harsh operating conditions and have a long service life. Thanks to their compact design, they are easy to install and can be seamlessly integrated into existing systems. Our various models with different amperage ratings and contact configurations offer solutions for every need.

Why Wolfram Relay Series?

Wide Application Area: Can be used in 12V and 24V vehicle electrical systems.

High Reliability: Stable performance even in harsh conditions.

Long Life: Lasts a long time thanks to high quality materials.

Easy Installation: Easy to install thanks to its compact design.

Various Models: It meets various needs with different amperage values and contact configurations.

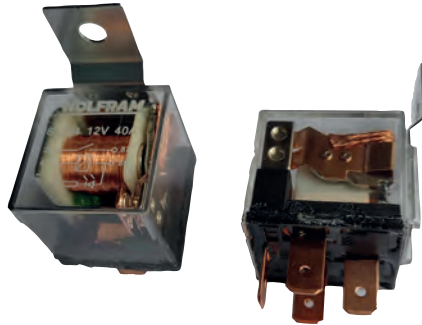
Control the electrical systems of your vehicles safely with Wolfram relay series. High performance, long life and a wide range of applications make Wolfram relays your reliable partner in electrical control.

Available in



Relays

63204 ECO



Product Description	: Mini Relay
Volt	: 12 Volt
Ampere	: 40
Terminal	: 4
Cover	: Transparent Cover
Feature	: Aluminum Coil Plated By Copper : Copper Contact Pleated By Silver : All Iron Pins
Packaging Qty	: 1
Product Barcode	: 8682005500215
Shipping Qty	: 10
Shipping Barcode	: 8682005500222

63205 ECO



Product Description	: Mini Relay
Volt	: 12 Volt
Ampere	: 40
Terminal	: 5
Cover	: Transparent Cover
Feature	: Aluminum Coil Plated By Copper : Copper Contact Pleated By Silver : All Iron Pins
Packaging Qty	: 1
Product Barcode	: 8682005500239
Shipping Qty	: 10
Shipping Barcode	: 8682005500246

63274 PRO LONG LIFE



Product Description	: Mini Relay
Volt	: 12Volt
Ampere	: 30
Terminal	: 4
Cover	: Black Cover
Feature	: Micro Relay
Packaging Qty	: 1
Product Barcode	: 8682005500819
Shipping Qty	: 10
Shipping Barcode	: 8682005500826

Relays



Product Description : Mini Relay
 Volt : 12Volt
 Ampere : 30
 Terminal : 5
 Cover : Black Cover
 Feature : Micro Relay
 Packaging Qty : 1
 Product Barcode : 8682005500833
 Shipping Qty : 10
 Shipping Barcode : 8682005500840

**63275 PRO
LONG LIFE**



Product Description : Mini Relay
 Volt : 12 Volt
 Ampere : 40
 Terminal : 4
 Cover : Transparent Cover
 Feature : Copper Coil
 : Silver Alloy Contact
 : All Copper Pins
 Packaging Qty : 1
 Product Barcode : 8682005500253
 Shipping Qty : 10
 Shipping Barcode : 8682005500260

**63314 PRO
LONG LIFE**



Product Description : Mini Relay
 Volt : 12 Volt
 Ampere : 40
 Terminal : 5
 Cover : Transparent Cover
 Feature : Copper Coil
 : Silver Alloy Contact
 : All Copper Pins
 Packaging Qty : 1
 Product Barcode : 8682005500277
 Shipping Qty : 10
 Shipping Barcode : 8682005500284

**63315 PRO
LONG LIFE**

Relays



Product Description	: Mini Relay
Volt	: 24Volt
Ampere	: 40
Terminal	: 5
Cover	: Black Cover
Feature	: Mini Relay
Packaging Qty	: 1
Product Barcode	: 8682005500871
Shipping Qty	: 10
Shipping Barcode	: 8682005500888

63324 PRO LONG LIFE



Product Description	: Power Relay
Volt	: 12Volt
Ampere	: 80
Terminal	: 4
Cover	: Black Cover
Feature	: Power Relay
Packaging Qty	: 1
Product Barcode	: 8682005500857
Shipping Qty	: 10
Shipping Barcode	: 8682005500864

63364 PRO LONG LIFE

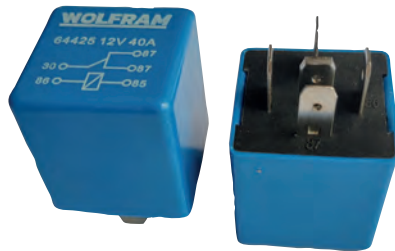


Product Description	: Power Relay
Volt	: 24Volt
Ampere	: 80
Terminal	: 4
Cover	: Black Cover
Feature	: Power Relay
Packaging Qty	: 1
Product Barcode	: 8682005500895
Shipping Qty	: 10
Shipping Barcode	: 8682005500901

63374 PRO LONG LIFE

Relays

64425 PRO



Product Description	: Mini Relay
Volt	: 12 Volt
Ampere	: 40
Terminal	: 5
Cover	: Blue Cover
Feature	: Horn Vibration Relay
Packaging Qty	: 1
Product Barcode	: 8682005500291
Shipping Qty	: 10
Shipping Barcode	: 8682005500307



Product Description	: Mini Relay
Volt	: 24 Volt
Ampere	: 40
Terminal	: 5
Cover	: Black Cover
Feature	: Horn Vibration Relay
Packaging Qty	: 1
Product Barcode	: 8682005500314
Shipping Qty	: 10
Shipping Barcode	: 8682005500321

64435 PRO



Trailer Plug And Truck Trailer Cable

WOLFRAM
PREMIUM QUALITY



WOLFRAM offers a broad range of connectors, cables and coils for commercial vehicles. Our watertight high-quality plugs and sockets withstand over the next 20 years, many advancements are expected to improve road safety, particularly for heavy trucks and other commercial vehicles. One of the driving forces behind this development is the General Safety Directive. This EU directive mandates the EU adoption of various driving assistance and safety systems, including improved driver visibility. This can be achieved, for example, by using cameras to monitor the vehicle's surroundings, thereby significantly improving driving safety and preventing accidents. However, current coupling systems for trailer operation do not offer the necessary data transmission speeds for such applications. Environmental impacts like high temperature and our cables as well as many of our components are ADR compliant. Conventional trailer connectors mainly allow transfer of lighting functions between the towing vehicle and trailer and provide a power supply to consumers in trailers. However, they are not able to deliver new safety or convenience functions, such as a rear view camera on the trailer or transmission of data for driver assistance systems. A solution could be 12-pin connectors and cables that meet the new American standard SAE J3008. These are suitable as trailer sockets for video transmission - and also for transmitting other data (e.g. tire pressure monitoring) at a data rate of 250 Kbit/s..

Available in



Trailer Plug

70109



Product Description : Eropean Trailer Connector
 Volt : 12Volt
 Type : N Type
 Pole : 5 Pole
 Materiel : Plastic
 Place Of Use : Trailer Connector
 Product Barcode : 8682005500529

70110



Product Description : Eropean Trailer Connector
 Volt : 12Volt
 Type : N Type
 Pole : 5 Pole
 Materiel : Plastic
 Place Of Use : Trailer Plug with nut
 Product Barcode : 8682005500505

70111



Product Description : Eropean Trailer Connector
 Volt : 12Volt
 Type : N Type
 Pole : 7 Pole
 Materiel : Plastic
 Place Of Use : Trailer Connector
 Product Barcode : 8682005500512

Trailer Plug

70112



Product Description : European Trailer Connector
 Volt : 12Volt
 Type : N Type
 Pole : 7 Pole
 Materiel : Plastic
 Place Of Use : Trailer Plug with nut
 Product Barcode : 8682005500499



70201

Product Description : Trailer Connector
 Volt : 24Volt
 Type : N Type
 Pole : 7 Pole
 Materiel : Plastic
 Place Of Use : Trailer Plug
 Product Barcode : 8682005500383



70202

Product Description : Trailer Connector
 Volt : 24Volt
 Type : N Type
 Pole : 7 Pole
 Materiel : Plastic
 Place Of Use : Trailer Connector
 Product Barcode : 8682005500390

Trailer Plug

70207



Product Description : Trailer Connector
 Volt : 24Volt
 Type : S Type
 Pole : 7 Pole
 Materiel : Plastic
 Place Of Use : Trailer Plug
 Product Barcode : 8682005500406

70209



Product Description : Trailer Connector
 Volt : 24Volt
 Type : S Type
 Pole : 7 Pole
 Materiel : Plastic
 Place Of Use : Trailer Plug
 Product Barcode : 8682005500413

70211



Product Description : Trailer Connector
 Volt : 24Volt
 Type : S Type
 Pole : 7 Pole
 Materiel : Plastic
 Place Of Use : Trailer Connector
 Product Barcode : 8682005500420

Trailer Plug

70280



Product Description : European Trailer Connector
 Volt : 12Volt
 Pole : 13 Pole
 Materiel : Plastic
 Place Of Use : Trailer Connector
 Product Barcode : 8682005500536



70281



Product Description : European Trailer Connector
 Volt : 12Volt
 Pole : 13 Pole
 Materiel : Plastic
 Place Of Use : Trailer Connector
 Product Barcode : 8682005500543



70286



Product Description : European Trailer Connector
 Volt : 12Volt
 Pole : 13 Pole
 Materiel : Plastic
 Place Of Use : Trailer Connector with fog light cut off
 Product Barcode : 8682005500550



Trailer Plug

70288



Product Description : European Trailer Connector
 Volt : 12Volt
 Pole : 13 Pole
 Materiel : Plastic
 Place Of Use : Trailer Plug
 Product Barcode : 8682005500567



70291

Product Description : European Trailer Connector
 Volt : 12Volt
 Pole : 13 Pole
 Materiel : Plastic
 Place Of Use : Trailer Plug with long nut
 Product Barcode : 8682005500574



70305

Product Description : Trailer Connector
 Volt : 24Volt
 Pole : 7 Pole EBS
 Place Of Use : Trailer Plug Screw Type
 Product Barcode : 8682005500451

Trailer Plug

70311



Product Description : Trailer Connector
Volt : 24Volt
Pole : 7 Pole EBS ADR
Place Of Use : Connector Plug Screw Type
Product Barcode : 8682005500468



Product Description : Trailer Connector
Volt : 24Volt
Pole : 15 Pole to 7 Pole
Place Of Use : N/S Adaptor
Product Barcode : 8682005500482

70317



Product Description : Trailer Connector
Volt : 24Volt
Pole : 15 Pole
Place Of Use : Trailer Plug Screw Type
Product Barcode : 8682005500437

70361

Trailer Plug And Truck Trailer Cable

70363



Product Description : Trailer Connector
 Volt : 24Volt
 Pole : 15 Pole ADR
 Place Of Use : Trailer Plug Screw Type
 Product Barcode : 8682005500444

70367



Product Description : Trailer Connector
 Volt : 24Volt
 Pole : 15 Pole ADR
 Place Of Use : Connector Screw Type
 Product Barcode : 8682005500475

70501



Product Description : Trailer Cable
 Volt : 24Volt
 Type : N Type
 Pole : 7 Pole Molded
 Cable Length : 4.5 m Length
 Place Of Use : Trailer Cable
 Product Barcode : 8682005500581

Truck Trailer Cable

70503



Product Description : Trailer Cable
Volt : 24Volt
Type : S Type
Pole : 7 Pole Molded
Cable Lenght : 4.5 m Lenght
Place Of Use : Trailer Cable
Product Barcode : 8682005500598

70507



Product Description : Trailer Cable
Volt : 24Volt
Type : N Type
Pole : 7 Pole Plastic
Cable Lenght : 4.5 m Lenght
Place Of Use : Trailer Cable
Product Barcode : 8682005500659

70509



Product Description : Trailer Cable
Volt : 24Volt
Type : S Type
Pole : 7 Pole Plastic
Cable Lenght : 4.5 m Lenght
Place Of Use : Trailer Cable
Product Barcode : 8682005500666

Truck Trailer Cable

70511



Product Description : Trailer Cable
 Volt : 24V
 Pole : 7 Pole EBS
 Cable Length : 4.5 m Length
 Place Of Use : Trailer Cable
 Product Barcode : 8682005500604

70512



Product Description : Trailer Cable
 Volt : 24V
 Pole : 13 Pole to 7 Pole
 Cable Length : 4.5 m Length
 Place Of Use : Trailer Cable
 Product Barcode : 8682005500673

70513



Product Description : Trailer Cable
 Volt : 24V
 Pole : 7 Pole ADR EBS
 Cable Length : 4.5 m Length
 Place Of Use : Trailer Cable
 Product Barcode : 8682005500611

Truck Trailer Cable

70520



Product Description : Trailer Cable
Volt : 24Volt
Pole : 15 Pole
Cable Length : 4.5 m Length
Place Of Use : Trailer Cable
Product Barcode : 8682005500628

70524



Product Description : Trailer Cable
Volt : 24Volt
Pole : 15 Pole ADR Standard
Cable Length : 4.5 m Length
Place Of Use : Trailer Cable
Product Barcode : 8682005500635

70532



Product Description : Trailer Cable
Volt : 24Volt
Pole : 7 Pole to 15 Pole
Cable Length : 4.5 m Length
Place Of Use : Trailer Cable with molded plug
Product Barcode : 8682005500642



Axial Fans

WOLFRAM
PREMIUM QUALITY



WOLFRAM brand axial fans comply with European Community (CE) safety regulations.

The entire axial fan series complies with ROHS directives.

All axial fans can be delivered in accordance with European Union EMC directives.

If requested, all products can be delivered with a thermal protection device.

When the product complies with the EMC directive, the product codes end with EMC marking on the label.

LL indicates long service life, and LLG indicates even longer service life.

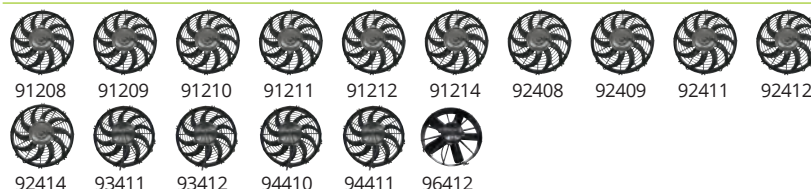
All products can be delivered with 12V DC or 24V DC. The voltage difference does not affect the input or output power, but the current consumption changes.

For the same output, 12V DC fans consume twice the current compared to 24V DC fans. The axial fan series is manufactured using only high-quality motors. All motors are configured as four-pole. They are highly efficient and long-lasting. Motor heights are produced in scales that can be used in situations where space is limited and there are concerns about total height. Custom production is also possible. The fans are used in radiator cooling, evaporators, and condensers for use in HVAC applications. There are eight cage types for axial fans, making them easy to use. Axial fans are combined according to motor, cage, and impeller type. Two blade types are used: "flat" blade and "S" blade. The "S" blade type produces more pressure, while the "flat" blade type has a lower noise level. Standard fans (unidirectional) and bidirectional fans allow for use as both suction and blowing fans. Standard fans have a fixed operating direction, while the operating direction of bidirectional fans can be optionally determined by the user. Bidirectional fans do not change direction depending on polarity. Axial fans can optionally have IP67 certification from an independent laboratory.

All axial fans have EMC compliance certificates from an independent laboratory (to be ordered accordingly).

Unless otherwise specified, axial fan series are delivered with TYCO 180908 type connectors. Numerous connectors are available upon request. For different applications and alternative mounting solutions, please contact us. For applications outside the listed ambient temperature ranges, please contact us.

Available in



Axial Fans

91208



Product Description : Axial Fan
 Volt : 12Volt
 Watt : 80 WATT
 Inc : 8 inç
 Blade : S Blade
 Airflow : Universal for blow and suction
 Product Barcode : 8682005503452

91209



Product Description : Axial Fan
 Volt : 12Volt
 Watt : 80 WATT
 Inc : 9 inç
 Blade : S Blade
 Airflow : Universal for blow and suction
 Current A : 5.5A±2
 Noise Level DbA : ≤75
 Product Barcode : 8682005500987

91210



Product Description : Axial Fan
 Volt : 12Volt
 Watt : 80 WATT
 Inc : 10 inç
 Blade : S Blade
 Airflow : Suction Fan
 Current A : 4.5±2A
 Noise Level DbA : ≤75
 Product Barcode : 8682005500994

Axial Fans

91211



Product Description : Axial Fan
 Volt : 12Volt
 Watt : 80 WATT
 Inc : 11 inç
 Blade : S Blade
 Airflow : Suction Fan
 Current A : 9A±2
 Noise Level DbA : ≤75
 Product Barcode : 8682005501007

91212



Product Description : Axial Fan
 Volt : 12Volt
 Watt : 80 WATT
 Inc : 12 inç
 Blade : S Blade
 Airflow : Suction Fan
 Current A : 7±1.5A
 Noise Level DbA : ≤75
 Product Barcode : 8682005503346

91214



Product Description : Axial Fan
 Volt : 12Volt
 Watt : 80 WATT
 Inc : 14 inç
 Blade : S Blade
 Airflow : Universal for blow and suction
 Current A : 4.5±2A
 Noise Level DbA : ≤75
 Product Barcode : 8682005503353

Axial Fans

92408



Product Description : Axial Fan
 Volt : 24Volt
 Watt : 80 WATT
 Inc : 8 inç
 Blade : S Blade
 Airflow : Universal for blow and suction
 Product Barcode : 8682005503469

92409



Product Description : Axial Fan
 Volt : 24Volt
 Watt : 80 WATT
 Inc : 9 inç
 Blade : S Blade
 Airflow : Universal for blow and suction
 Current A : 5.5A±2
 Noise Level DbA : ≤75
 Product Barcode : 8682005503360

92410



Product Description : Axial Fan
 Volt : 24Volt
 Watt : 80 WATT
 Inc : 10 inç
 Blade : S Blade
 Airflow : Suction Fan
 Current A : 2±1A
 Noise Level DbA : ≤75
 Product Barcode : 8682005503377

Axial Fans

92411



Product Description : Axial Fan
 Volt : 24Volt
 Watt : 80 WATT
 INC : 11 inç
 BLADE : S Blade
 AIRFLOW : Suction Fan
 Current A : 4.5A±1
 Noise level dBA : ≤75
 Product Barcode : 8682005503384

92412



Product Description : Axial Fan
 Volt : 24Volt
 Watt : 80 WATT
 INC : 12 inç
 BLADE : S Blade
 AIRFLOW : Suction Fan
 Current A : 3.5±1A
 Noise level dBA : ≤75
 Product Barcode : 8682005503391

92414



Product Description : Axial Fan
 Volt : 24Volt
 Watt : 80 WATT
 INC : 14 inç
 BLADE : S Blade
 AIRFLOW : Universal for blow and suction
 Current A : 4.5±2A
 Noise level dBA : ≤75
 Product Barcode : 8682005503407

Axial Fans

93411



Product Description : Axial Fan
 Volt : 12Volt
 Watt : 120 WATT
 INC : 11 inç
 BLADE : S Blade
 AIRFLOW : Suction Fan
 Current A : 10A±2
 Noise level dBA : ≤75
 Product Barcode : 8682005503414

93412



Product Description : Axial Fan
 Volt : 12Volt
 Watt : 120 WATT
 INC : 12 inç
 BLADE : S Blade
 AIRFLOW : Suction Fan
 Current A : 10A±2
 Noise level dBA : ≤75
 Product Barcode : 8682005503421

94410



Product Description : Axial Fan
 Volt : 24Volt
 Watt : 120 WATT
 INC : 10 inç
 BLADE : S Blade
 AIRFLOW : Suction Fan
 Current A : 4A±1
 Noise level dBA : ≤75
 Product Barcode : 8682005503438

Axial Fans

94411



Product Description : Axial Fan
 Volt : 24Volt
 Watt : 120 WATT
 INC : 11 inç
 BLADE : S Blade
 AIRFLOW : Suction Fan
 Current A : 6A±1
 Noise level dBA : ≤75
 Product Barcode : 8682005503445

96412



Product Description : Axial Fan
 Volt : 24Volt
 Watt : 160 WATT
 INC : 12 inç
 BLADE : FLAT Blade
 AIRFLOW : Flat Wing Suction Thick Body Frame
 Current A : 7.5A±1.5
 Noise level dBA : ≤75
 Product Barcode : 8682005503483



www.wolframgermany.com